

JVC

SERVICE MANUAL

CD RECEIVER

KD-G700

Area suffix

J ----- Northern America

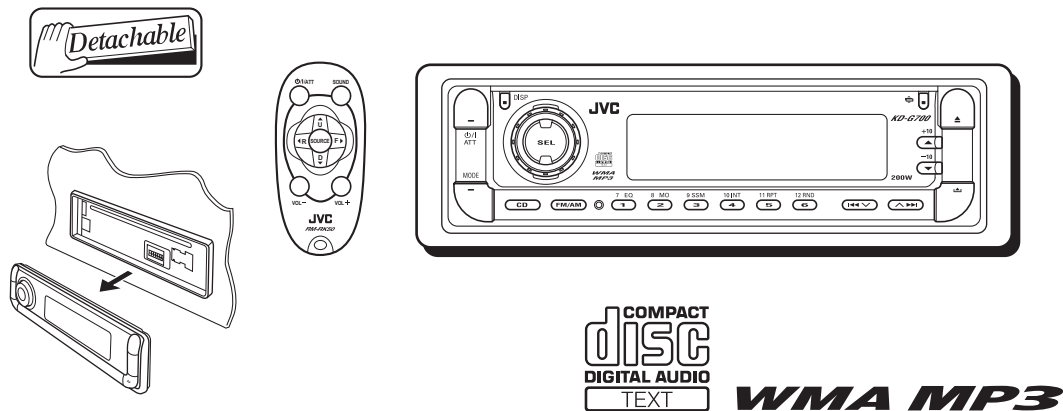


TABLE OF CONTENTS

1	PRECAUTION.....	1-3
2	SPECIFIC SERVICE INSTRUCTIONS.....	1-5
3	DISASSEMBLY.....	1-6
4	ADJUSTMENT.....	1-26
5	TROUBLE SHOOTING.....	1-27


SPECIFICATION


AUDIO AMPLIFIER SECTION		
Maximum Power Output	Front	50 W per channel
	Rear	50 W per channel
Continuous Power Output (RMS)	Front	19 W per channel into 4 Ω , 40 Hz to 20 000 Hz at no more than 0.8% total harmonic distortion.
	Rear	19 W per channel into 4 Ω , 40 Hz to 20 000 Hz at no more than 0.8% total harmonic distortion.
Load Impedance		4 Ω (4 Ω to 8 Ω allowance)
Equalizer Control Range	Low	± 12 dB (60 Hz, 80 Hz, 100 Hz, 120 Hz)
	Mid	± 12 dB
	High	± 12 dB (8 kHz, 10 kHz, 12 kHz, 15 kHz)
Frequency Response		40 Hz to 20 000 Hz
Signal-to-Noise Ratio		70 dB
Line-In Level/Impedance	KD-AR800	1.5 V/20 k Ω load
Line-Out Level/Impedance	KD-AR800	5.0 V/20 k Ω load (full scale)
	KD-G800	4.0 V/20 k Ω load (full scale)
	KD-G700	2.5 V/20 k Ω load (full scale)
Output Impedance		1 k Ω
Subwoofer-Out Level/Impedance	KD-AR800/KD-G800	2.0 V/20 k Ω load (full scale)
TUNER SECTION		
Frequency Range	FM	87.5 MHz to 107.9 MHz
	AM	530 kHz to 1 710 kHz
[FM Tuner]	Usable Sensitivity	11.3 dBf (1.0 μ V/75 Ω)
	50 dB Quieting Sensitivity	16.3 dBf (1.8 μ V/75 Ω)
	Alternate Channel Selectivity (400 kHz)	65 dB
	Frequency Response	40 Hz to 15 000 Hz
	Stereo Separation	35 dB
	Capture Ratio	1.5 dB
[AM Tuner]	Sensitivity	20 μ V
	Selectivity	35 dB
CD PLAYER SECTION		
Type		Compact disc player
Signal Detection System		Non-contact optical pickup (semiconductor laser)
Number of channels		2 channels (stereo)
Frequency Response		5 Hz to 20 000 Hz
Dynamic Range		96 dB
Signal-to-Noise Ratio		98 dB
Wow and Flutter		Less than measurable limit
MP3 decoding format		MPEG1/2 Audio Layer 3 Max. Bit Rate:320 Kbps
WMA (Windows Media Audio) decoding format		Max. Bit Rate:192 Kbps
GENERAL		
Power Requirement	Operating Voltage	DC 14.4 V (11 V to 16 V allowance)
Grounding System		Negative ground
Allowable Operating Temperature		0°C to +40°C (32°F to 104°F)
Dimensions (W \times H \times D)	Installation Size (approx.)	182 mm \times 52 mm \times 159 mm (7-3/16" \times 2-1/16" \times 6-5/16")
	Panel Size (approx.)	188 mm \times 58 mm \times 12 mm (7-7/16" \times 2-5/16" \times 1/2")
Mass (approx.)		1.5 kg (3.4 lbs) (excluding accessories)

Design and specifications are subject to change without notice.

SECTION 1 PRECAUTION

1.1 Safety Precautions

 **CAUTION** Burrs formed during molding may be left over on some parts of the chassis. Therefore, pay attention to such burrs in the case of performing repair of this system.

 **CAUTION** Please use enough caution not to see the beam directly or touch it in case of an adjustment or operation check.

1.2 Preventing static electricity

Electrostatic discharge (ESD), which occurs when static electricity stored in the body, fabric, etc. is discharged, can destroy the laser diode in the traverse unit (optical pickup). Take care to prevent this when performing repairs.

1.2.1 Grounding to prevent damage by static electricity

Static electricity in the work area can destroy the optical pickup (laser diode) in devices such as CD players.

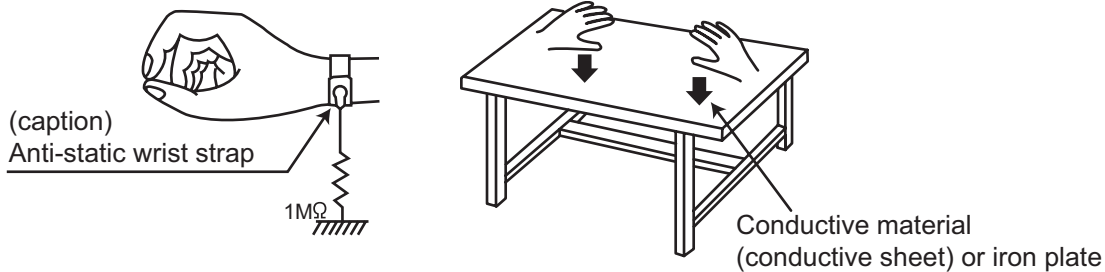
Be careful to use proper grounding in the area where repairs are being performed.

(1) Ground the workbench

Ground the workbench by laying conductive material (such as a conductive sheet) or an iron plate over it before placing the traverse unit (optical pickup) on it.

(2) Ground yourself

Use an anti-static wrist strap to release any static electricity built up in your body.



(3) Handling the optical pickup

- In order to maintain quality during transport and before installation, both sides of the laser diode on the replacement optical pickup are shorted. After replacement, return the shorted parts to their original condition. (Refer to the text.)
- Do not use a tester to check the condition of the laser diode in the optical pickup. The tester's internal power source can easily destroy the laser diode.

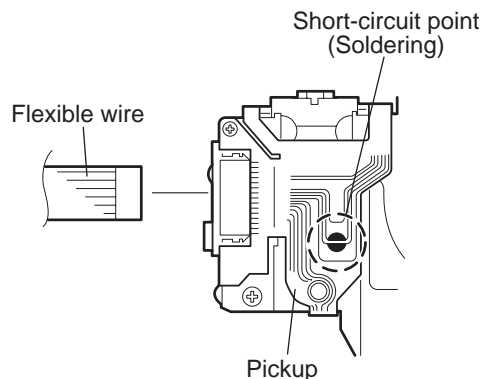
1.3 Handling the traverse unit (optical pickup)

- (1) Do not subject the traverse unit (optical pickup) to strong shocks, as it is a sensitive, complex unit.
- (2) Cut off the shorted part of the flexible cable using nippers, etc. after replacing the optical pickup. For specific details, refer to the replacement procedure in the text. Remove the anti-static pin when replacing the traverse unit. Be careful not to take too long a time when attaching it to the connector.
- (3) Handle the flexible cable carefully as it may break when subjected to strong force.
- (4) It is not possible to adjust the semi-fixed resistor that adjusts the laser power. Do not turn it.

1.4 Attention when traverse unit is decomposed

***Please refer to "Disassembly method" in the text for the CD pickup unit.**

- Apply solder to the short land before the flexible wire is disconnected from the connector on the CD pickup unit. (If the flexible wire is disconnected without applying solder, the CD pickup may be destroyed by static electricity.)
- In the assembly, be sure to remove solder from the short land after connecting the flexible wire.



SECTION 2
SPECIFIC SERVICE INSTRUCTIONS

This service manual does not describe SPECIFIC SERVICE INSTRUCTIONS.

SECTION 3 DISASSEMBLY

3.1 Main body

3.1.1 Removing the front panel assembly (See Fig.1)

- (1) Push the detach button in the lower right part of the front panel assembly.
- (2) Remove the front panel assembly.

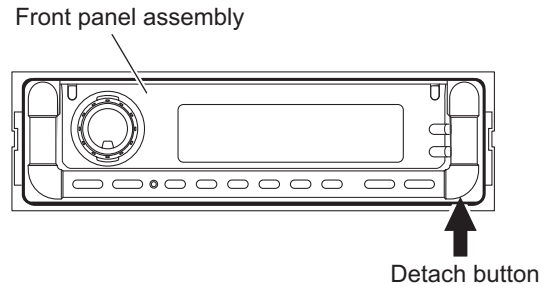
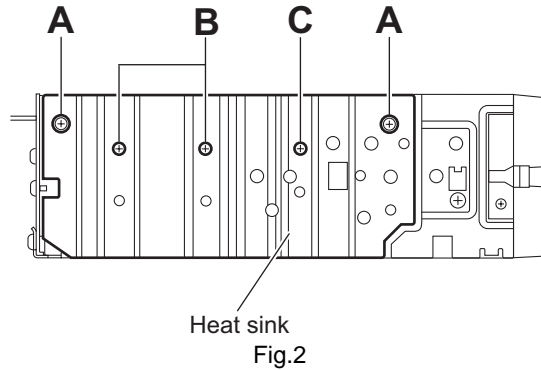


Fig.1

3.1.2 Removing the heat sink (See Fig.2)

- (1) From the left side of the main body, remove the two screws **A**, two screws **B** and screw **C** attaching the heat sink.



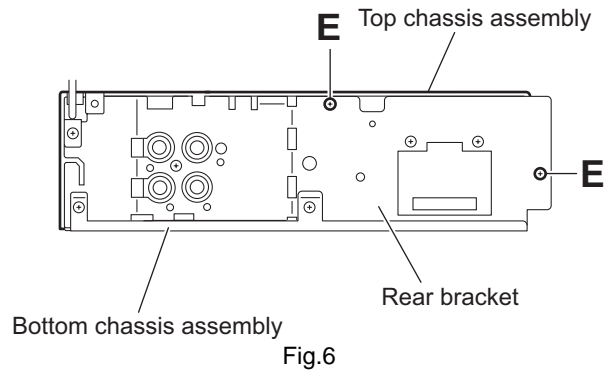
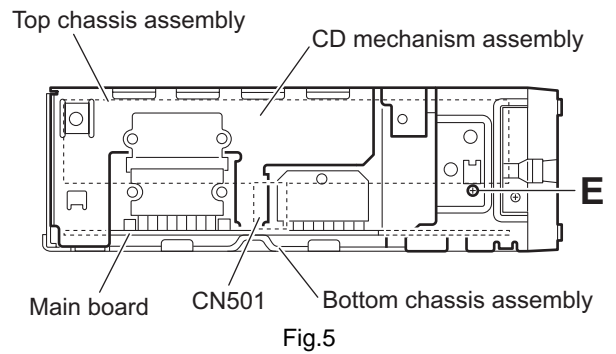
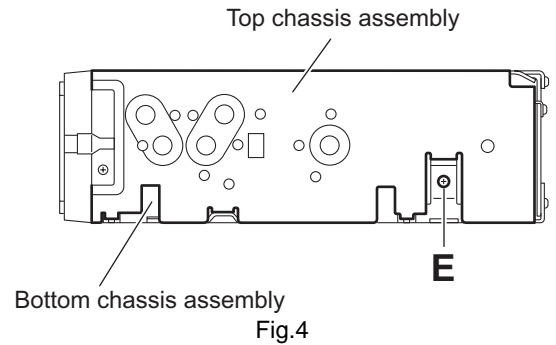
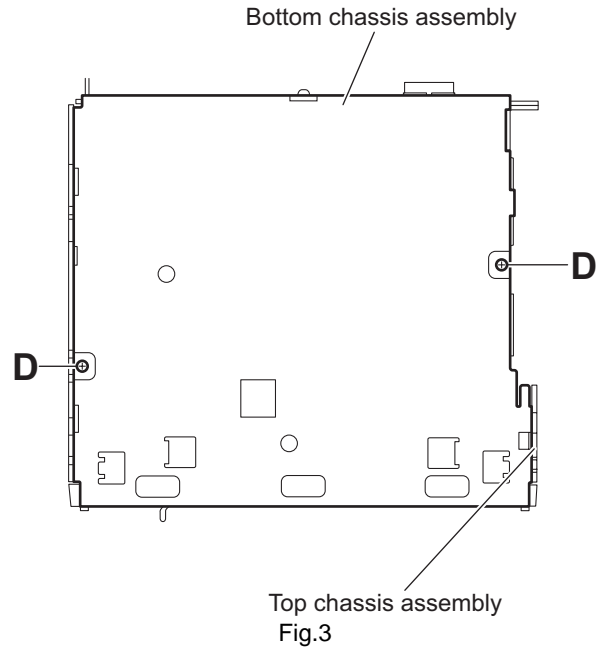
3.1.3 Removing the top chassis assembly (See Figs.3 to 6)

- Prior to performing the following procedures, remove the heat sink.

Reference:

Remove the front panel assembly as required.

- (1) From the bottom side of the main body, remove the two screws **D** attaching the top chassis assembly to the bottom chassis assembly. (See Fig.3.)
- (2) From the both and rear sides of the main body, remove the four screws **E** attaching the top chassis assembly to the bottom chassis assembly. (See Figs.4 to 6.)
- (3) Lift the top chassis assembly in the direction of the arrow, disconnect the connector [CN501](#) on the main board. (See Figs.5 and 6.)
- (4) Take out the top chassis assembly from the bottom chassis assembly.



3.1.4 Removing the front chassis (See Figs.7 and 8)

- Prior to performing the following procedure, remove the front panel assembly, heat sink and top chassis assembly.
(1) From the both sides of the top chassis assembly, remove the two screws **F** attaching the front chassis.

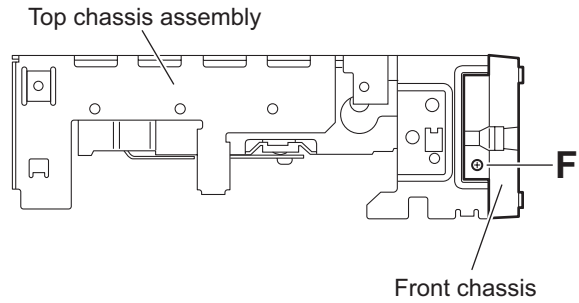


Fig.7

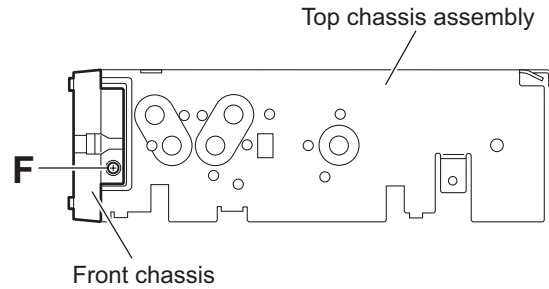


Fig.8

3.1.5 Removing the CD mechanism assembly (See Fig.9)

- Prior to performing the following procedures, remove the front panel assembly, heat sink and top chassis assembly.
(1) From the inside of the top chassis assembly, remove the three screws **G** attaching the CD mechanism assembly.
(2) Take out the CD mechanism assembly from the top chassis.

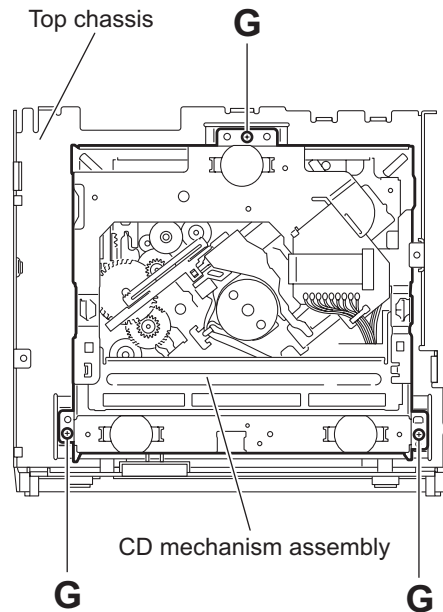


Fig.9

3.1.6 Removing the main board (See Figs.10 and 11)

- Prior to performing the following procedures, remove the front panel assembly, heat sink and top chassis assembly.
 - (1) From the rear side of the bottom chassis assembly, remove the two screws **H** attaching the rear bracket to the bottom chassis assembly. (See Fig.10.)
 - (2) From the top side of the bottom chassis assembly, remove the two screws **J** attaching the main board to the bottom chassis assembly. (See Fig.11.)
 - (3) Release the stopper of the connector [CN701](#) on the main board in an upward direction, disconnect the card wire from the connector [CN701](#). (See Fig.11.)
 - (4) Disconnect the wire from the connector of the front door mechanism assembly. (See Fig.11.)
 - (5) Disconnect the wire from the connector [CN951](#) on the main board. (See Fig.11.)

Reference:

After connecting the wires, fix the wire with the wire holder.

- (6) Take out the main board from the bottom chassis assembly.

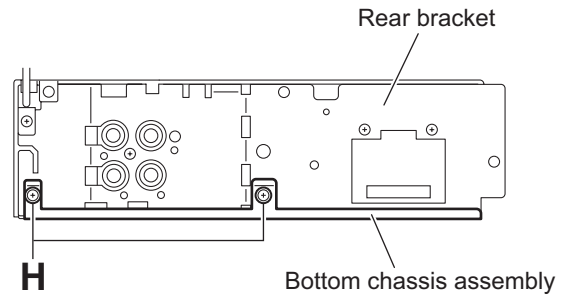


Fig.10

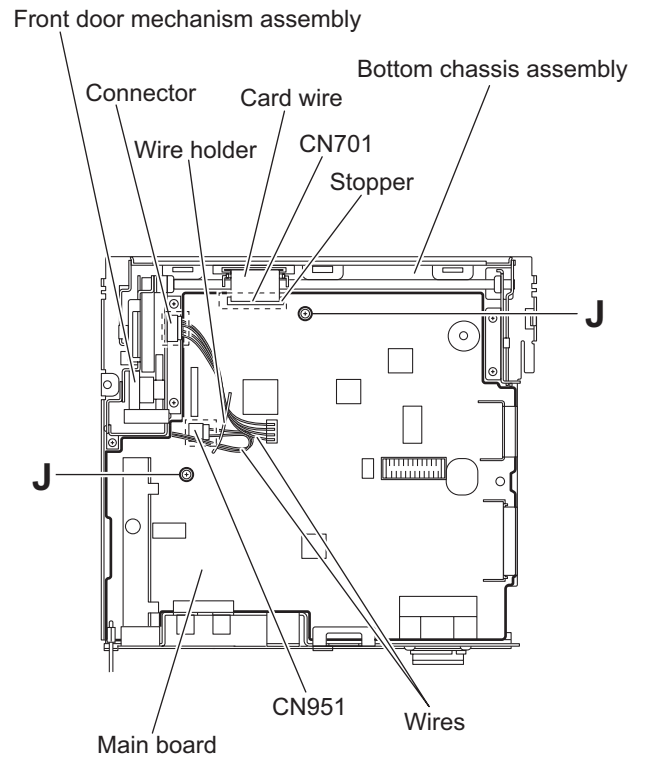


Fig.11

3.1.7 Removing the rear bracket (See Fig.12)

- Prior to performing the following procedures, remove the front panel assembly, heat sink, top chassis assembly and main board.
 - (1) Remove the screw **K** and three screws **L** attaching the rear bracket to the main board.

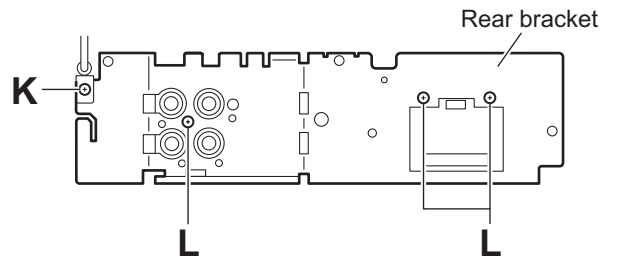


Fig.12

3.1.8 Removing the front door mechanism assembly (See Fig.13.)

- Prior to performing the following procedures, remove the front panel assembly, heat sink, top chassis assembly and main board.

- (1) From the top side of the bottom chassis assembly, remove the screw **M** attaching the FPC guide to the bottom chassis.
- (2) Remove the five screws **N** attaching the front door mechanism assembly to the bottom chassis.

Reference:

When attaching the screws **M** and **N**, apply a locking agent them.

- (3) Take out the front door mechanism assembly from the bottom chassis.

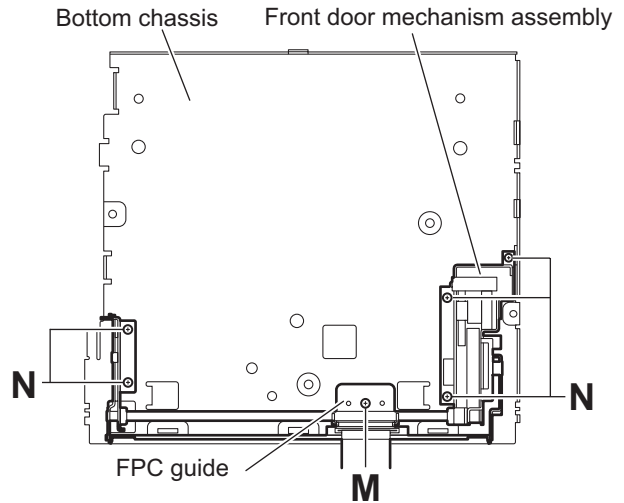


Fig.13

3.1.9 Removing the front board (See Figs.14 to 16)

- Prior to performing the following procedures, remove the front panel assembly.

- (1) From the rear side of the front panel assembly, remove the four screws **P** attaching the rear cover assembly to the front panel assembly. (See Fig.14.)
- (2) Release the twelve joints **a** of the front panel assembly and remove the rear cover assembly. (See Fig.15.)
- (3) Take out the front board from the front panel assembly. (See Fig.16.)

Note:

When removing the rear cover assembly and front board, be careful not to lose the comp. spring. (See Fig.16.)

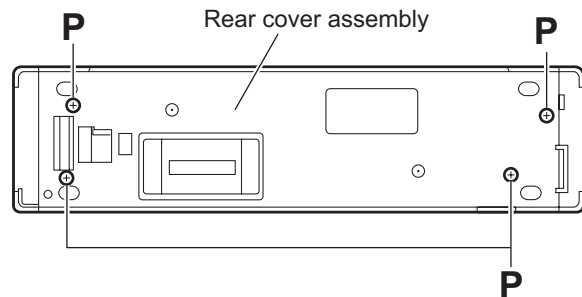


Fig.14

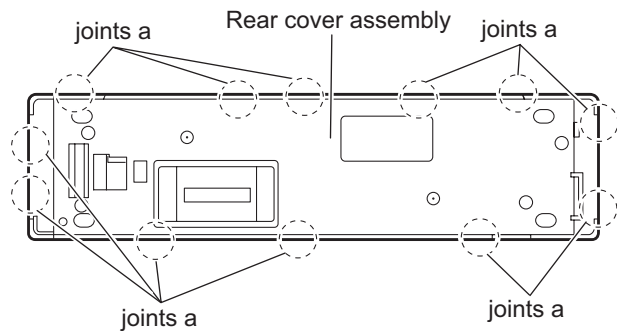


Fig.15

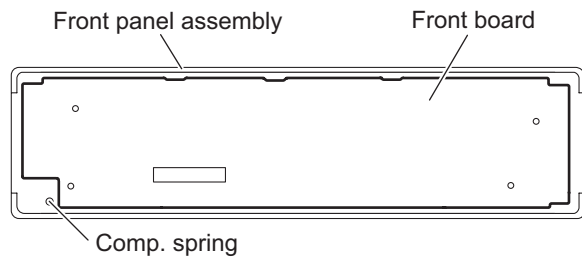


Fig.16

3.2 CD Mechanism Assembly

3.2.1 Removing the top cover (See Figs.1 and 2)

- (1) Remove the two screws **A** on the both side of the body.
- (2) Lift the front side of the top cover and move the top cover backward to release the two joints **a**.

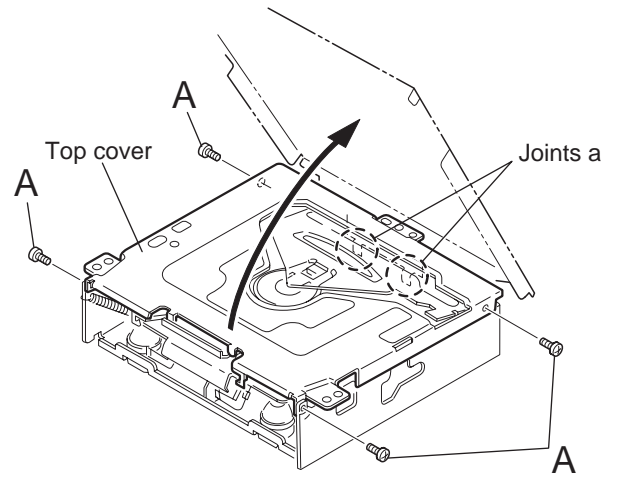


Fig.1

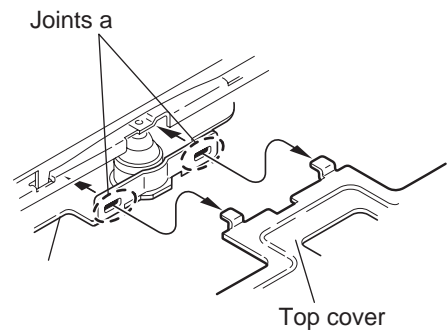


Fig.2

3.2.2 Removing the connector board (See Figs.3 to 5)

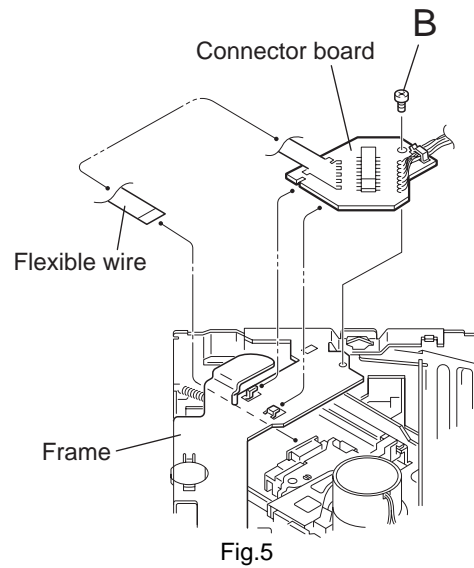
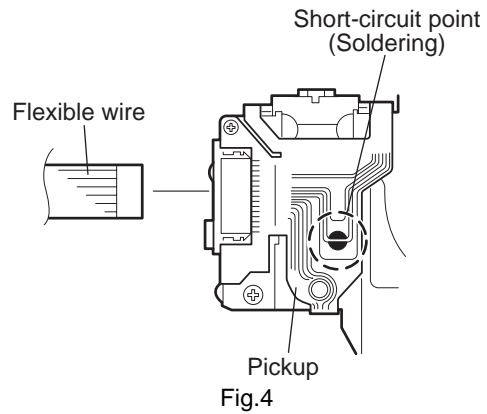
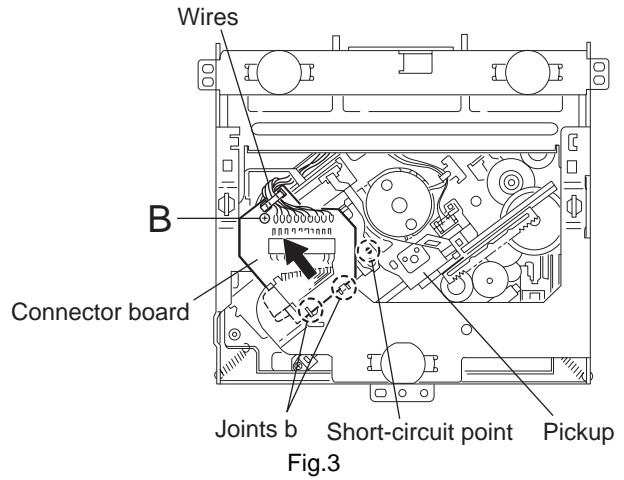
CAUTION:

Before disconnecting the flexible wire from the pickup, solder the short-circuit point on the pickup. No observance of this instruction may cause damage of the pickup.

- (1) Remove the screw **B** fixing the connector board.
- (2) Solder the short-circuit point on the connector board.
- (3) Disconnect the flexible wire from the pickup.
- (4) Move the connector board in the direction of the arrow to release the two joints **b**.
- (5) Unsolder the wire on the connector board if necessary.

CAUTION:

Unsolder the short-circuit point after reassembling.



3.2.3 Removing the DET switch (See Figs.6 and 7)

- (1) Extend the two tabs **c** of the feed sw. holder and pull out the switch.
- (2) Unsolder the DET switch wire if necessary.

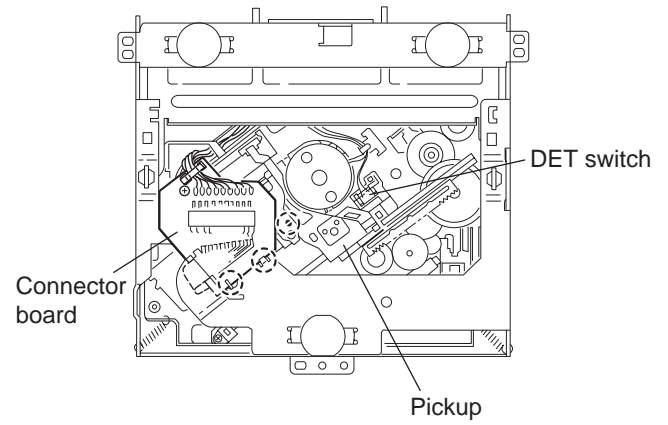


Fig.6

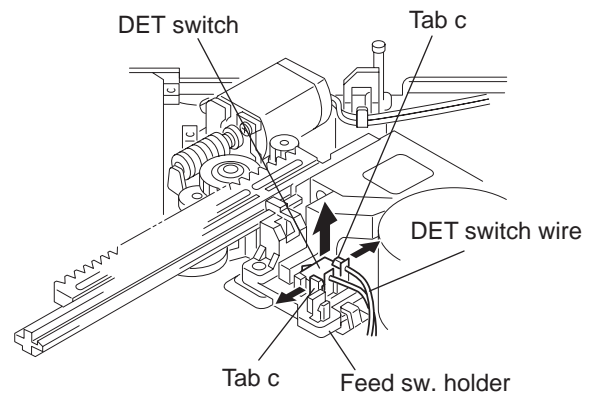


Fig.7

3.2.4 Removing the chassis unit (See Figs.8 and 9)

- Prior to performing the following procedure, remove the top cover and connector board.
(1) Remove the two suspension springs (L) and (R) attaching the chassis unit to the frame.

CAUTION:

- The shape of the suspension spring (L) and (R) are different. Handle them with care.
- When reassembling, make sure that the three shafts on the underside of the chassis unit are inserted to the dampers certainly.

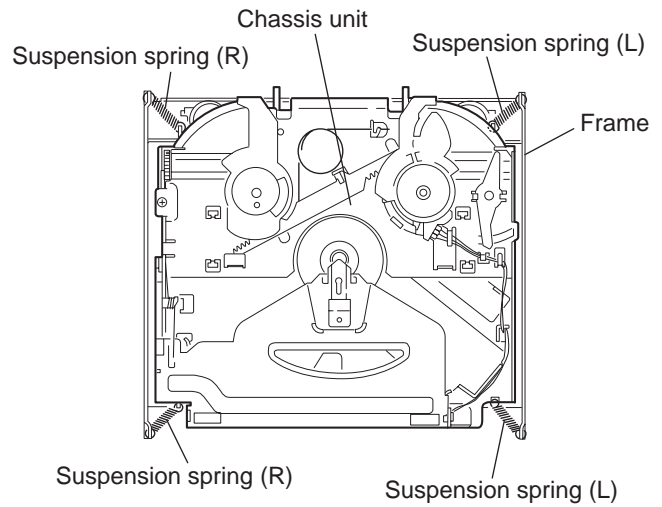


Fig.8

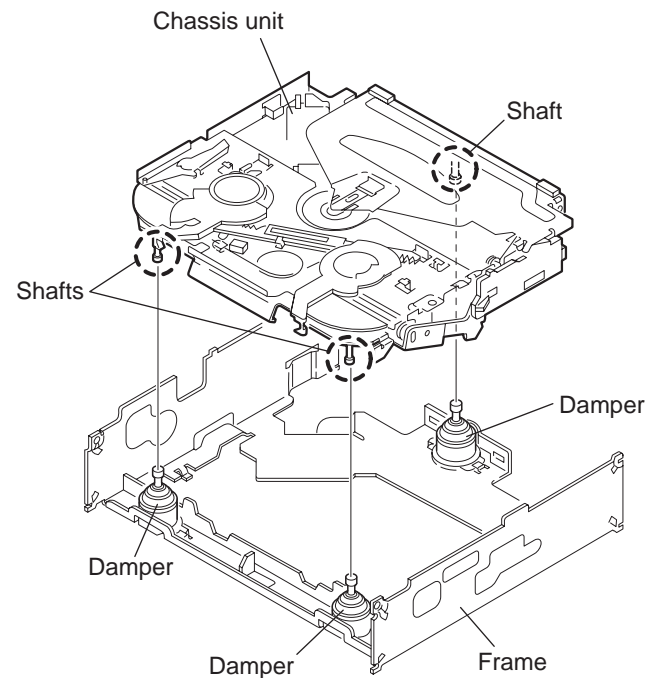
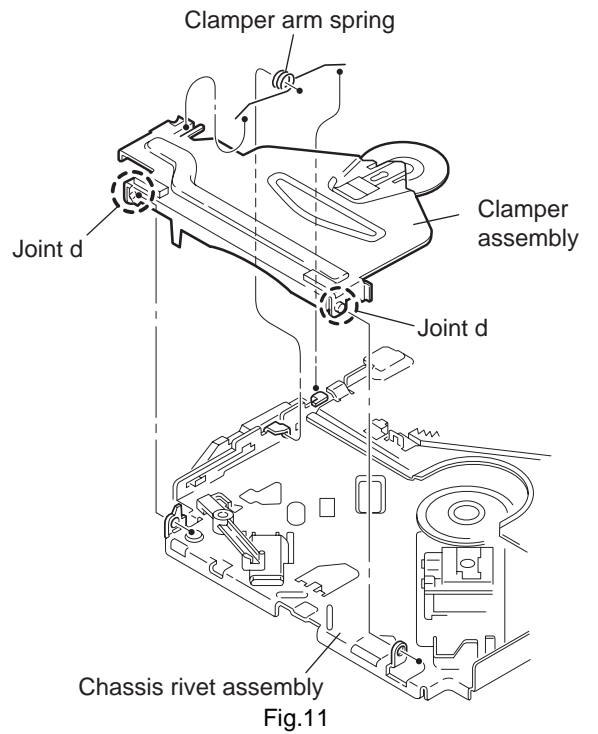
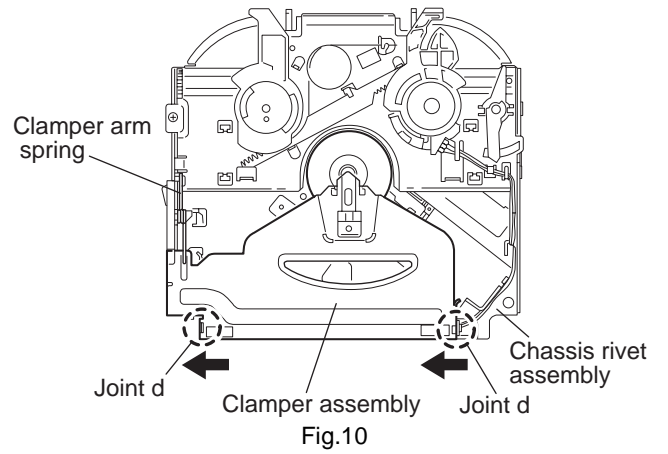


Fig.9

3.2.5 Removing the clamper assembly (See Figs.10 and 11)

- Prior to performing the following procedure, remove the top cover.
 - (1) Remove the clamper arm spring.
 - (2) Move the clamper assembly in the direction of the arrow to release the two joints **d**.

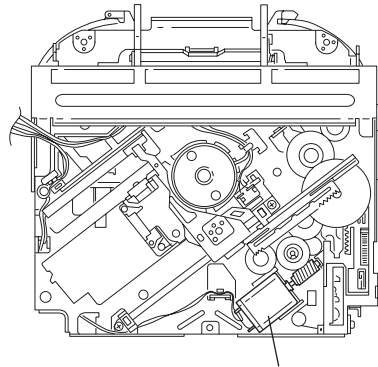


3.2.6 Removing the loading / feed motor assembly (See Figs.12 and 13)

- Prior to performing the following procedure, remove the top cover, connector board and chassis unit.
 - (1) Remove the screw **C** and move the loading / feed motor assembly in the direction of the arrow to remove it from the chassis rivet assembly.
 - (2) Disconnect the wire from the loading / feed motor assembly if necessary.

CAUTION:

When reassembling, connect the wire from the loading / feed motor assembly to the flame as shown in Fig.12.



Loading / feed motor assembly

Fig.12

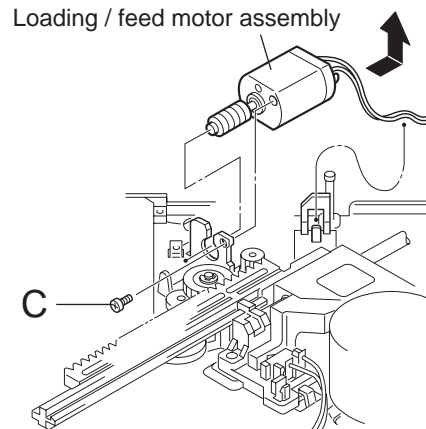


Fig.13

3.2.7 Removing the pickup unit (See Figs.14 to 18)

- Prior to performing the following procedure, remove the top cover, connector board and chassis unit.
 - (1) Remove the screw **D** and pull out the pu. shaft holder from the pu. shaft.
 - (2) Remove the screw **E** attaching the feed sw. holder.
 - (3) Move the part **e** of the pickup unit upward with the pu. shaft and the feed sw. holder, then release the joint **f** of the feed sw. holder in the direction of the arrow. The joint **g** of the pickup unit and the feed rack is released, and the feed sw. holder comes off.
 - (4) Remove the pu. shaft from the pickup unit.
 - (5) Remove the screw **F** attaching the feed rack to the pickup unit.

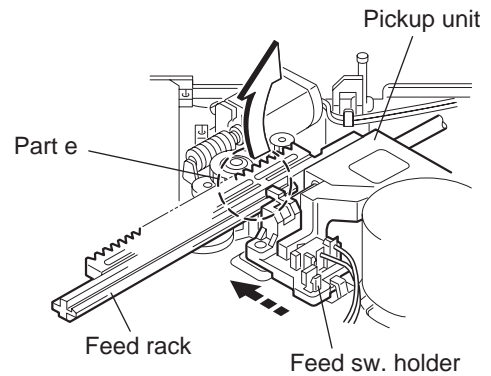


Fig.15

3.2.8 Reattaching the pickup unit (See Figs.14 to 17)

- (1) Reattach the feed rack to the pickup unit using the screw **F**.
- (2) Reattach the feed sw. holder to the feed rack while setting the joint **g** to the slot of the feed rack and setting the part **f** of the feed rack to the switch of the feed sw. holder correctly.
- (3) As the feed sw. holder is temporarily attached to the pickup unit, set to the gear of the joint **g** and to the bending part of the chassis (joint **h**) at a time.

CAUTION:

Make sure that the part **i** on the underside of the feed rack is certainly inserted to the slot **j** of the change lock lever.

- (4) Reattach the feed sw. holder using the screw **E**.
- (5) Reattach the pu. shaft to the pickup unit. Reattach the pu. shaft holder to the pu. shaft using the screw **D**.

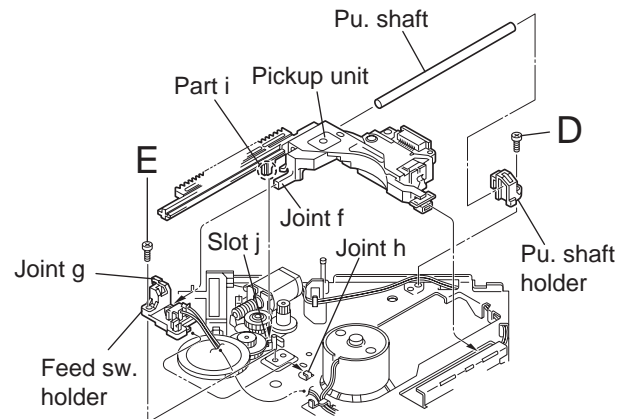


Fig.16

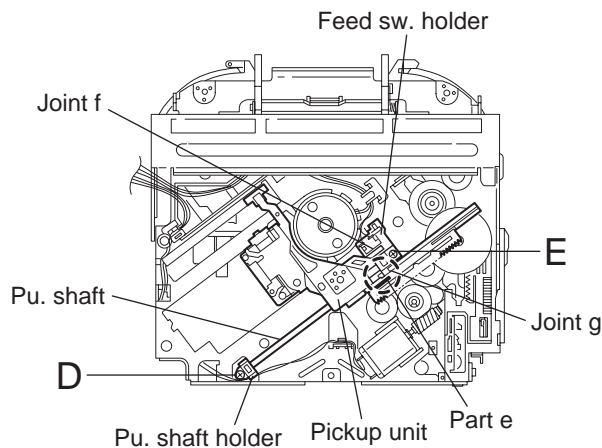


Fig.14

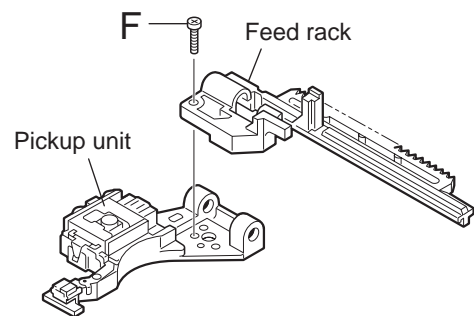


Fig.17

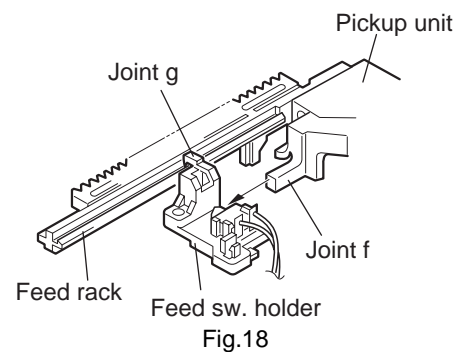


Fig.18

3.2.9 Removing the trigger arm (See Figs.19 and 20)

- Prior to performing the following procedure, remove the top cover, connector board and clamper unit.
 - (1) Turn the trigger arm in the direction of the arrow to release the joint k and pull out upward.

CAUTION:

When reassembling, insert the part m and n of the trigger arm into the part p and q at the slot of the chassis rivet assembly respectively and join the joint k at a time.

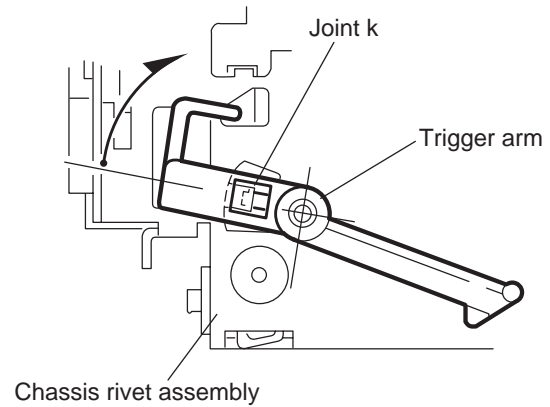


Fig.19

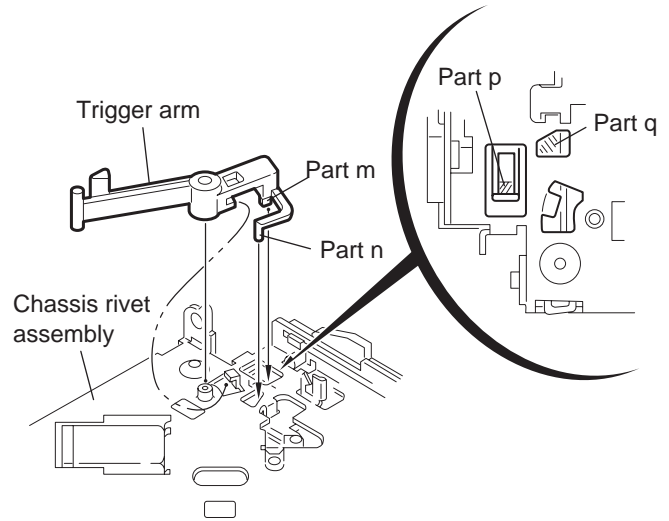


Fig.20

3.2.10 Removing the top plate assembly (See Fig.21)

- Prior to performing the following procedure, remove the top cover, connector board, chassis unit, and clamper assembly.
 - (1) Remove the screw H.
 - (2) Move the top plate assembly in the direction of the arrow to release the two joints r.
 - (3) Unsolder the wire marked s if necessary.

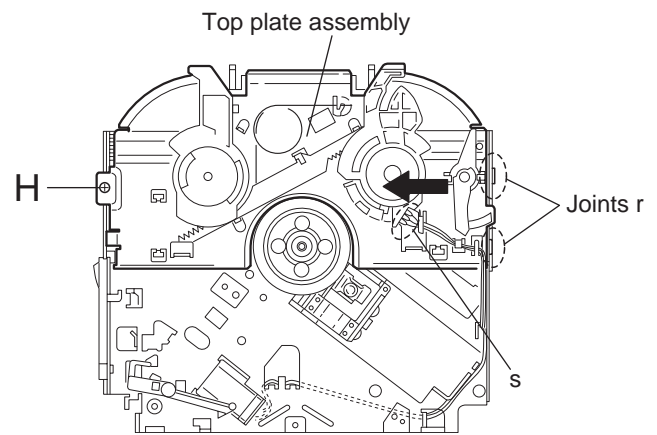


Fig.21

3.2.11 Removing the mode sw. / select lock arm (See Figs.22 and 23)

- Prior to performing the following procedure, remove the top plate assembly.
 - (1) Bring up the mode sw. to release from the link plate (joint t) and turn in the direction of the arrow to release the joint u.
 - (2) Unsolder the wire of the mode sw. marked s if necessary.
 - (3) Turn the select lock arm in the direction of the arrow to release the two joints v.
 - (4) The select lock arm spring comes off the select lock arm at the same time.

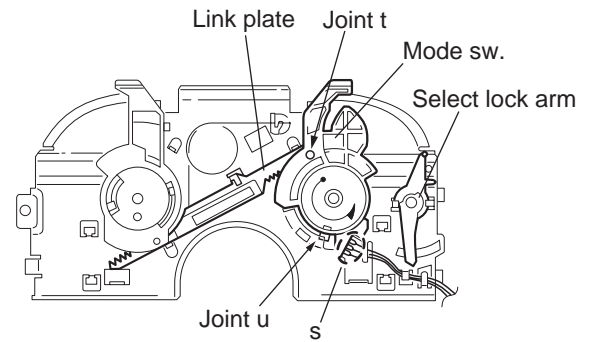


Fig.22

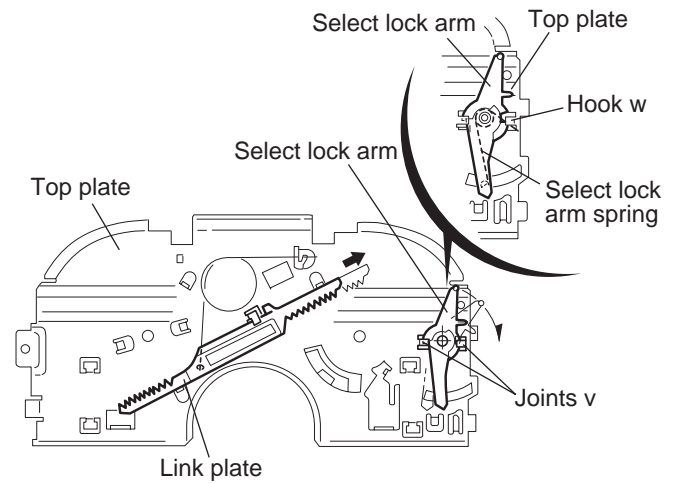


Fig.23

3.2.12 Reassembling the mode sw. / select lock arm (See Figs.24 to 26)

REFERENCE:

Reverse the above removing procedure.

- (1) Reattach the select lock arm spring to the top plate and set the shorter end of the select lock arm spring to the hook w on the top plate.
- (2) Set the other longer end of the select lock arm spring to the boss x on the underside of the select lock arm, and join the select lock arm to the slots (joint v). Turn the select lock arm as shown in the figure.
- (3) Reattach the mode sw. while setting the part t to the first peak of the link plate gear, and join the joint u.

CAUTION:

When reattaching the mode sw., check if the points y and z are correctly fitted and if each part operates properly.

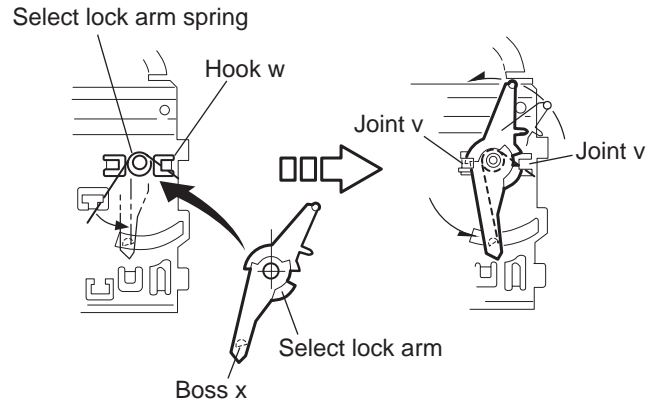


Fig.24

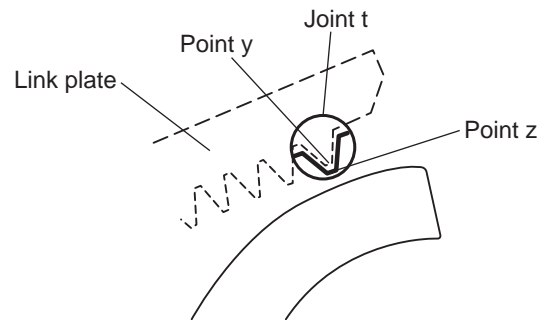


Fig.25

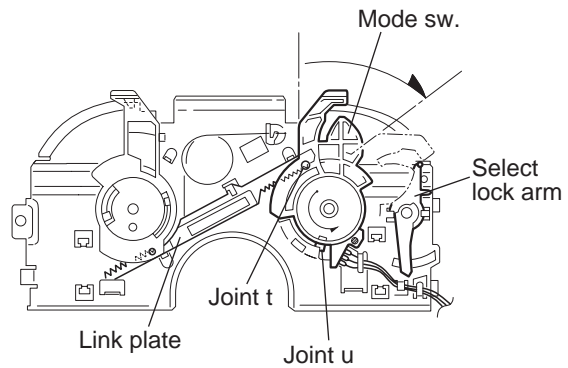


Fig.26

3.2.13 Removing the select arm R / link plate (See Figs.27 and 28)

- Prior to performing the following procedure, remove the top plate assembly.
 - (1) Bring up the select arm R to release from the link plate (joint a') and turn as shown in the figure to release the two joints b' and joint c'.
 - (2) Move the link plate in the direction of the arrow to release the joint d'. Remove the link plate spring at the same time.

REFERENCE:

Before removing the link plate, remove the mode sw..

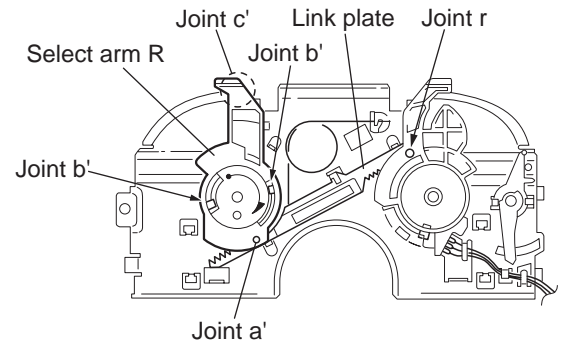


Fig.27

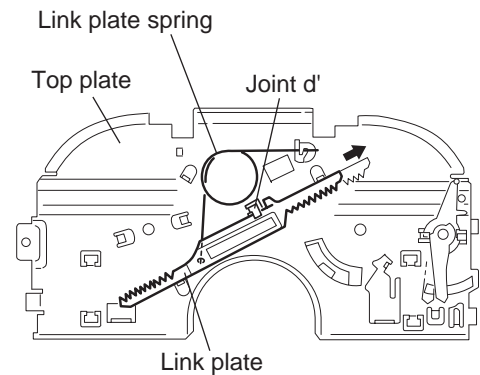


Fig.28

3.2.14 Reattaching the Select arm R / link plate (See Figs.29 and 30)

REFERENCE:

Reverse the above removing procedure.

- (1) Reattach the link plate spring.
- (2) Reattach the link plate to the link plate spring while joining them at joint d'.
- (3) Reattach the joint a' of the select arm R to the first peak of the link plate while joining the two joints b' with the slots. Then turn the select arm R as shown in the figure. The top plate is joined to the joint c'.

CAUTION:

When reattaching the select arm R, check if the points e' and f' are correctly fitted and if each part operates properly.

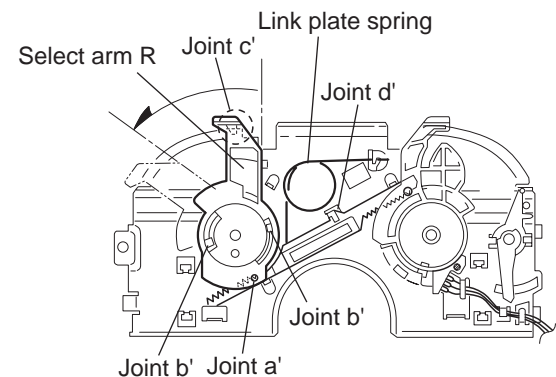


Fig.29

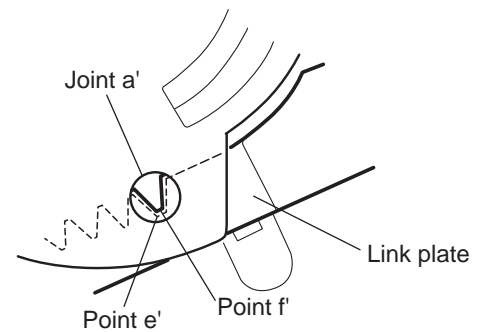


Fig.30

3.2.15 Removing the loading roller assembly (See Figs.31 to 33)

• Prior to performing the following procedure, remove the clamper assembly and top plate assembly.

- (1) Push inward the loading roller assembly on the gear side and detach it upward from the slot of the joint **g'** of the lock arm rivet assembly.
- (2) Detach the loading roller assembly from the slot of the joint **h'** of the lock arm rivet assembly.

The roller guide comes off the gear section of the loading roller assembly.

Remove the roller guide and the HL washer from the shaft of the loading roller assembly.

- (3) Remove the screw **J** attaching the lock arm rivet assembly.
- (4) Push the shaft at the joint **i'** of the lock arm rivet assembly inward to release the lock arm rivet assembly from the slot of the L side plate.
- (5) Extend the lock arm rivet assembly outward and release the joint **j'** from the boss of the chassis rivet assembly. The roller guide springs on both sides come off at the same time.

CAUTION:

When reassembling, reattach the left and right roller guide springs to the lock arm rivet assembly before reattaching the lock arm rivet assembly to the chassis rivet assembly. Make sure to fit the part **k'** of the roller guide spring inside of the roller guide. (Refer to Fig.34.)

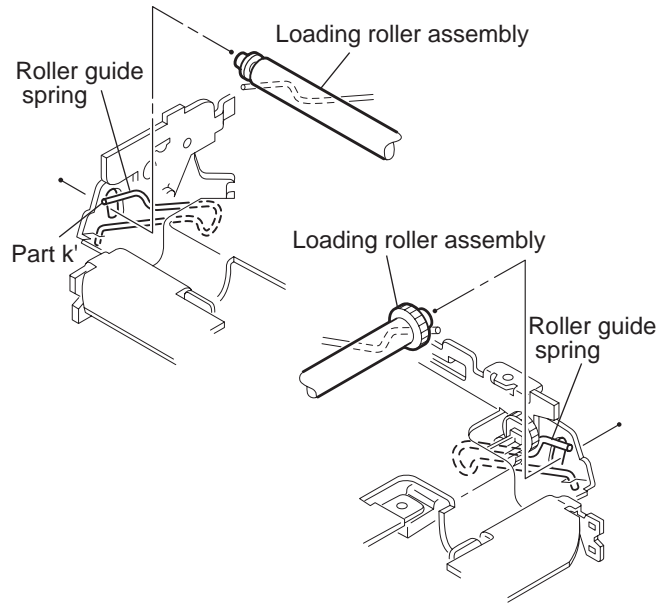


Fig.32

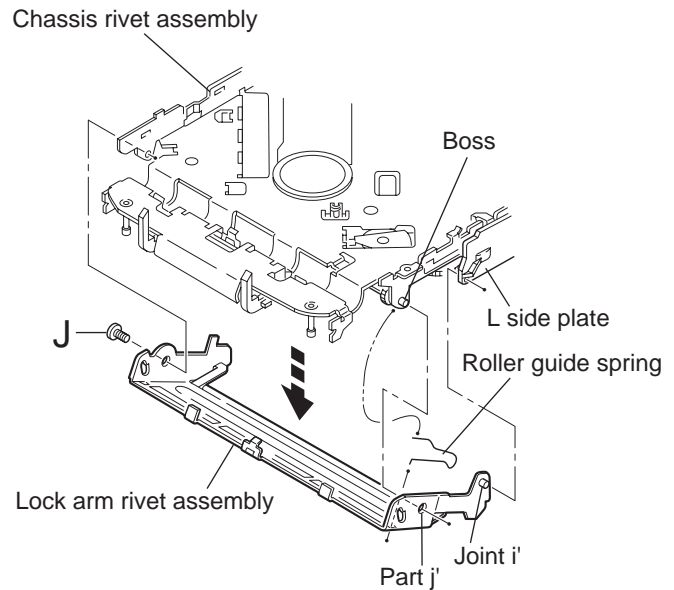


Fig.33

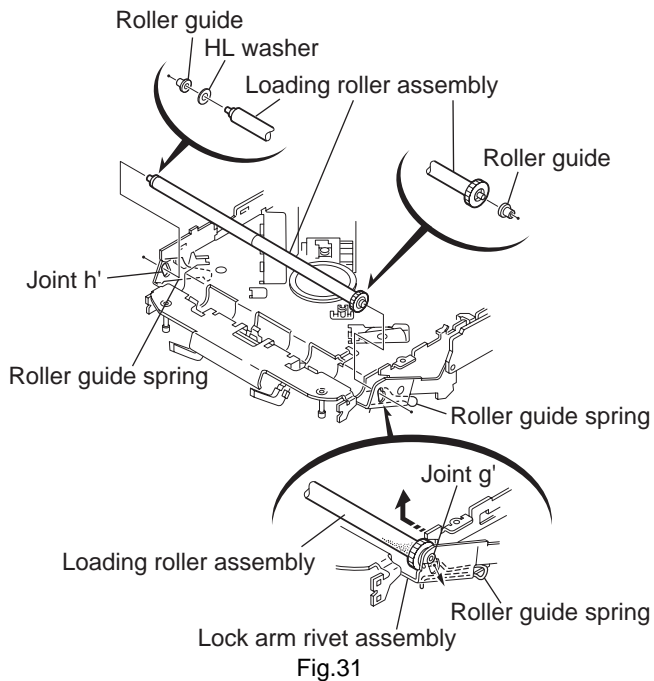


Fig.31

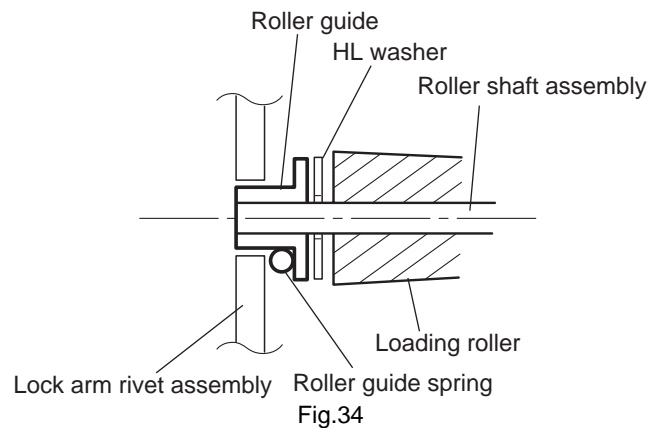


Fig.34

3.2.16 Removing the loading gear 5, 6 and 7 (See Figs.35 and 36)

- Prior to performing the following procedure, remove the top cover, chassis unit, pickup unit and top plate assembly.
 - (1) Remove the screw **K** attaching the loading gear bracket.
The loading gear 6 and 7 come off the loading gear bracket.
 - (2) Pull out the loading gear 5.

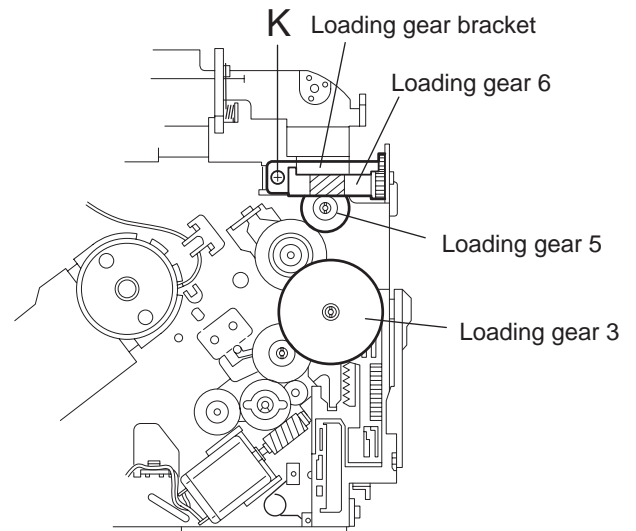


Fig.35

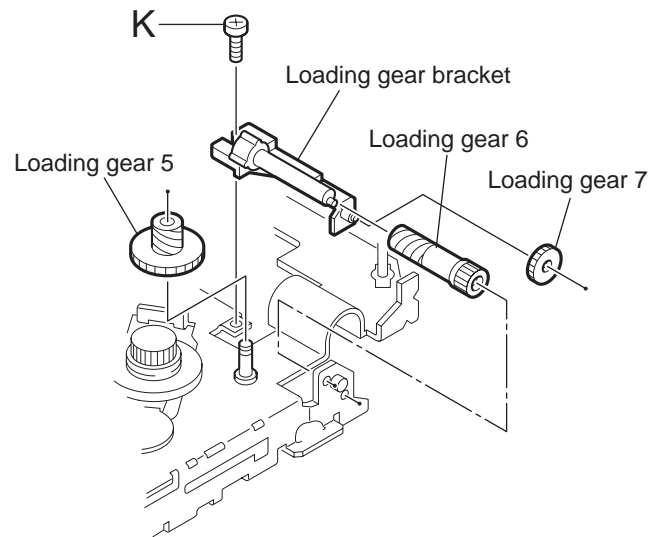
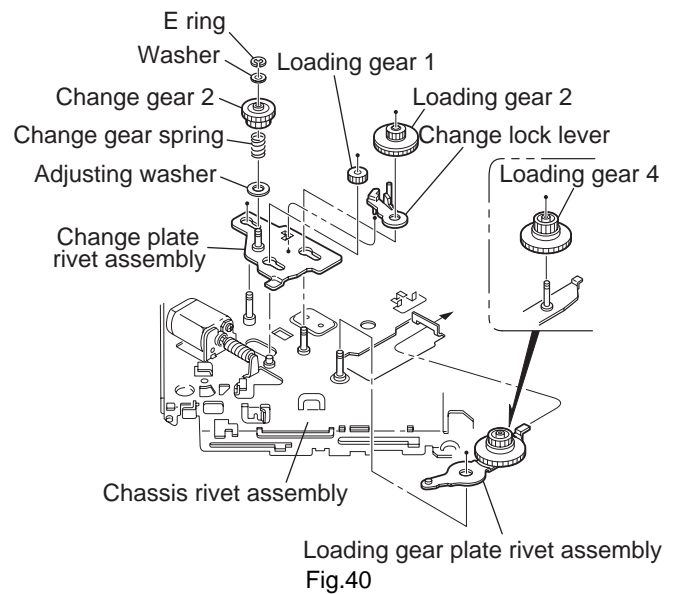
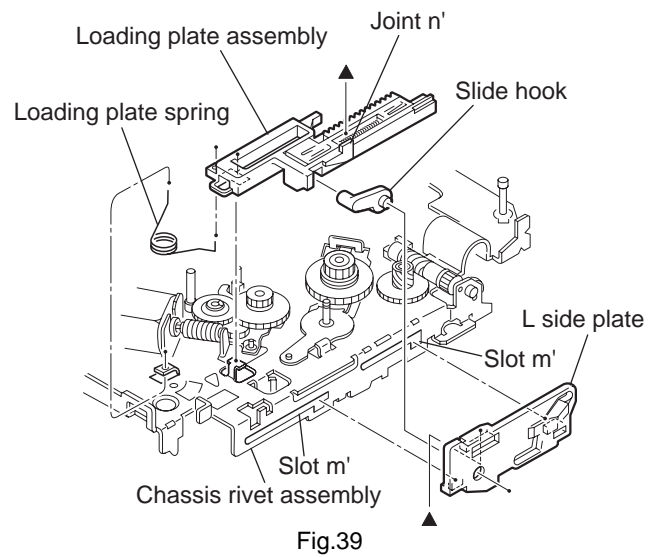
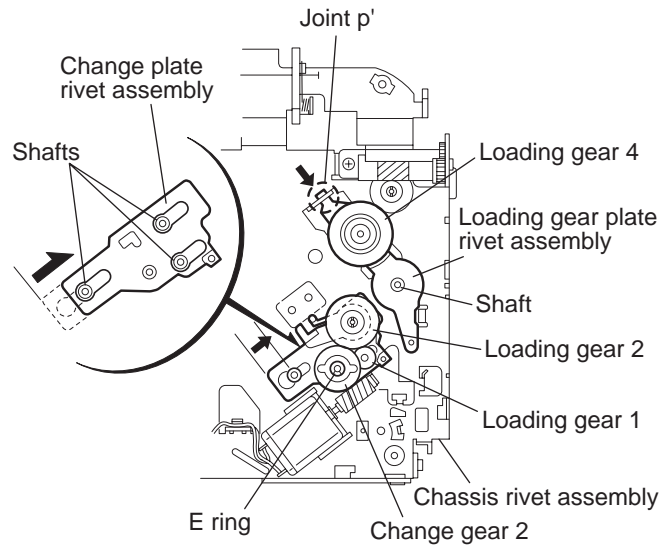
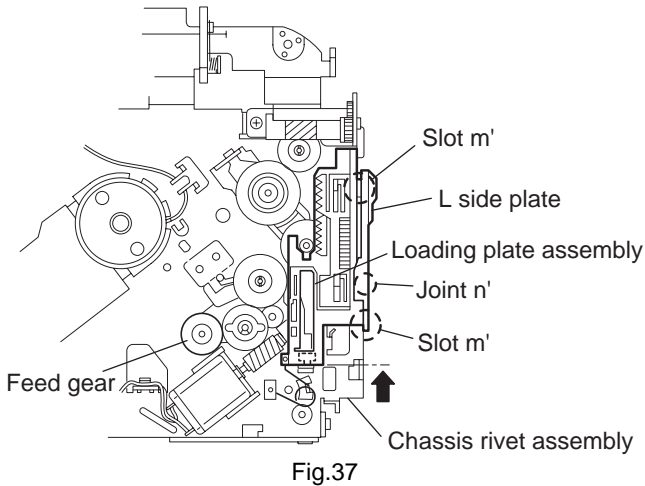


Fig.36

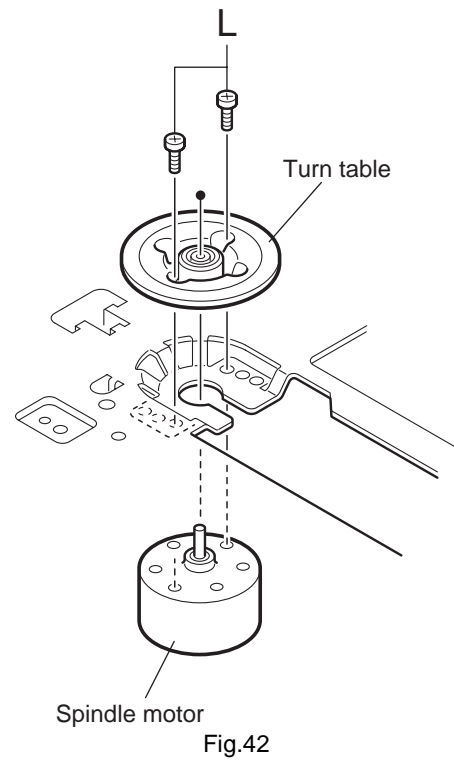
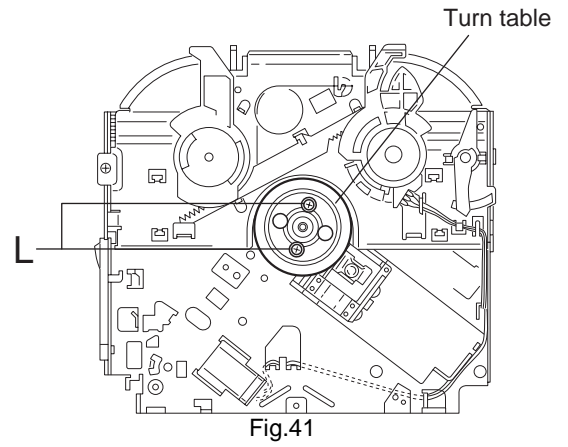
3.2.17 Removing the gears (See Figs.37 to 40)

- Prior to performing the following procedure, remove the top cover, chassis unit, top plate assembly and pickup unit.
- Pull out the loading gear 3. (See Fig.35.)
 - (1) Pull out the feed gear.
 - (2) Move the loading plate assembly in the direction of the arrow to release the L side plate from the two slots m' of the chassis rivet assembly. (See Fig.37.)
 - (3) Detach the loading plate assembly upward from the chassis rivet assembly while releasing the joint n'. Remove the slide hook and loading plate spring from the loading plate assembly.
 - (4) Pull out the loading gear 2 and remove the change lock lever.
 - (5) Remove the E ring and washer attaching the changer gear 2.
 - (6) The changer gear 2, change gear spring and adjusting washer come off.
 - (7) Remove the loading gear 1.
 - (8) Move the change plate rivet assembly in the direction of the arrow to release from the three shafts of the chassis rivet assembly upward. (See Fig.38.)
 - (9) Detach the loading gear plate rivet assembly from the shaft of the chassis rivet assembly upward while releasing the joint p'. (See Figs.38 and 40.)
 - (10) Pull out the loading gear 4.



3.2.18 Removing the turn table / spindle motor (See Figs.41 and 42)

- Prior to performing the following procedure, remove the top cover, connector board, chassis unit and clamper assembly.
 - (1) Remove the two screws L attaching the spindle motor assembly through the slot of the turn table on top of the body.
 - (2) Unsolder the wire on the connector board if necessary.



SECTION 4 ADJUSTMENT

4.1 Adjustment method

■ Test instruments required for adjustment

- (1) Digital oscilloscope (100MHz)
- (2) AM Standard signal generator
- (3) FM Standard signal generator
- (4) Stereo modulator
- (5) Electric voltmeter
- (6) Digital tester
- (7) Tracking offset meter
- (8) Test Disc JVC :CTS-1000
- (9) Extension cable for check
EXTSH002-22P × 1

■ Standard volume position

Balance and Bass & Treble volume : Indication "0"
Loudness : OFF

■ How to connect the extension cable for adjusting

Caution:

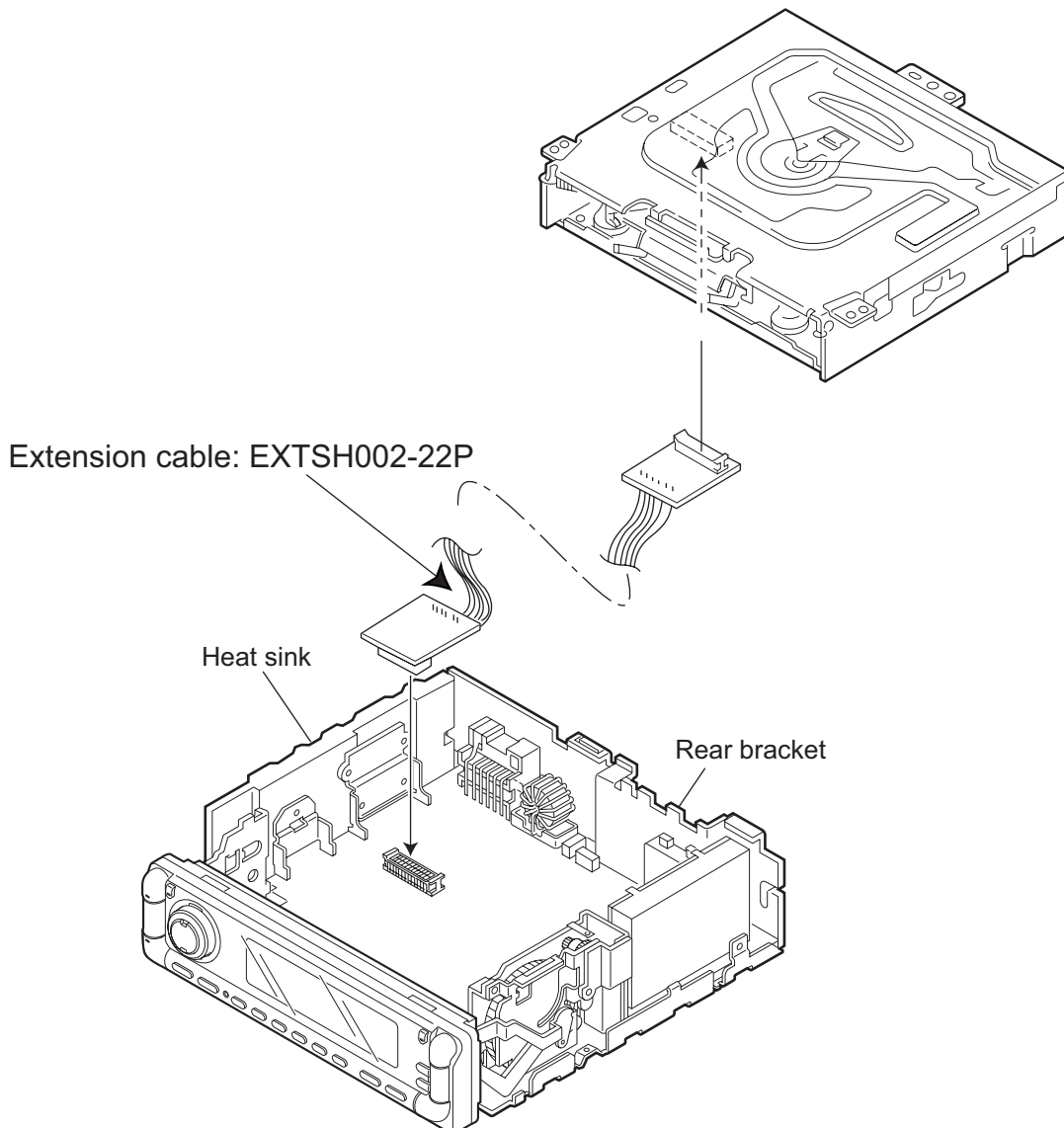
Be sure to attach the heat sink and rear bracket onto the power amplifier IC and regulator IC respectively, before supply the power.
If voltage is applied without attaching these parts, the power amplifier IC and regulator IC will be destroyed by heat.

■ Standard measuring conditions

Power supply voltage	DC14.4V(10.5 to 16V)
Load impedance	20K Ω (2 Speakers connection)
Output Level	Line out 2.0V (Vol. MAX)

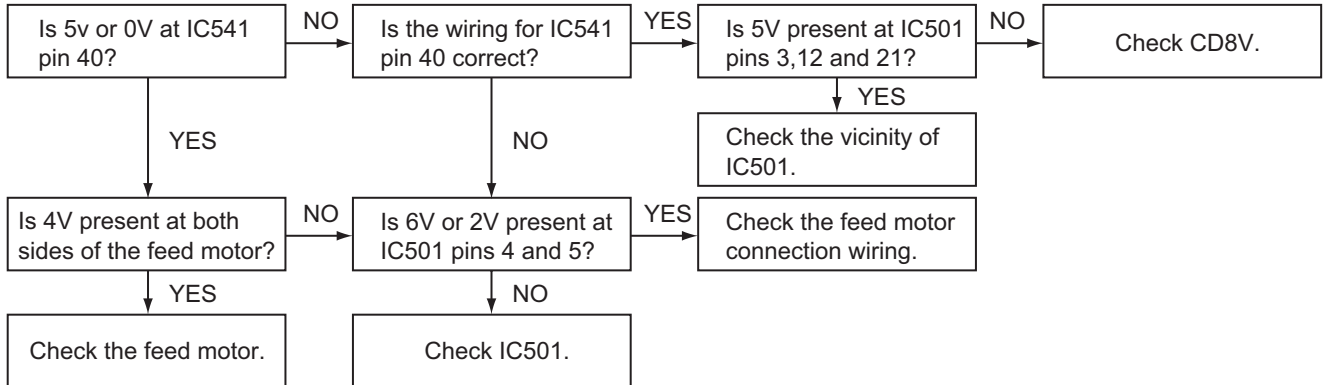
■ Dummy load

Exclusive dummy load should be used for AM, and FM. For FM dummy load, there is a loss of 6dB between SSG output and antenna input. The loss of 6dB need not be considered since direct reading of figures are applied in this working standard.

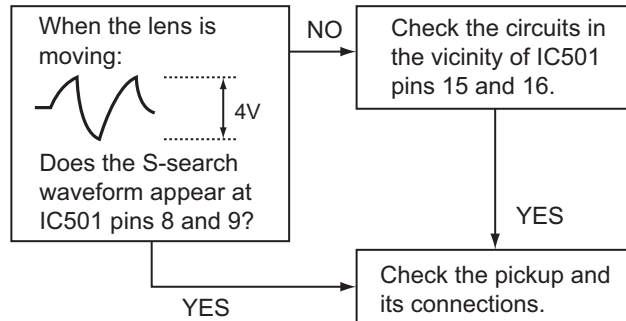


SECTION 5 TROUBLE SHOOTING

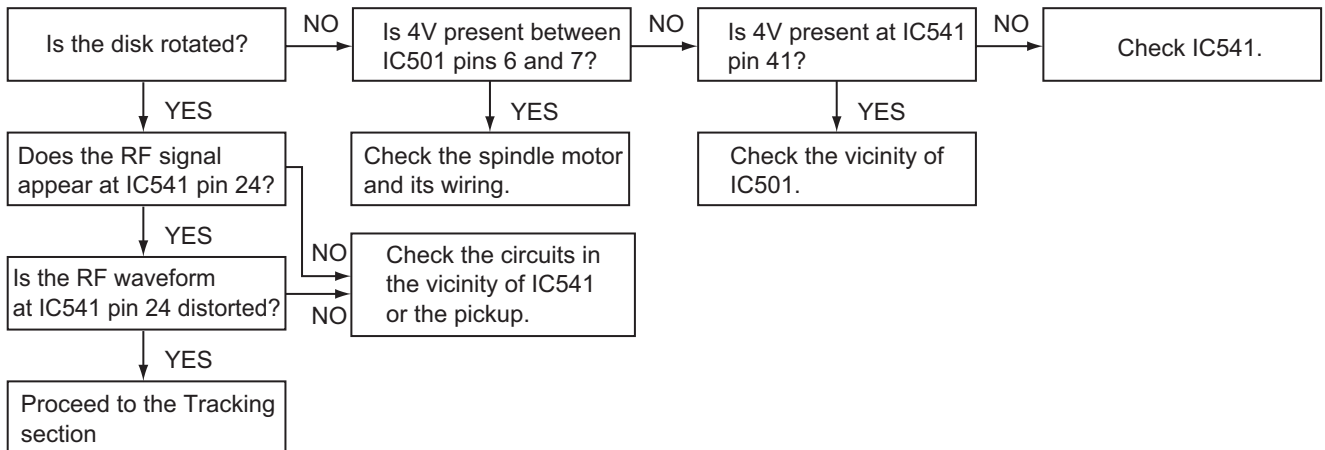
5.1 Feed section



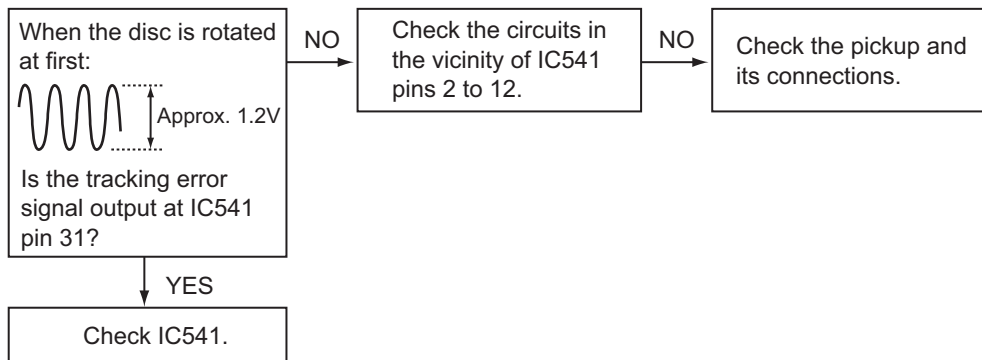
5.2 Focus section



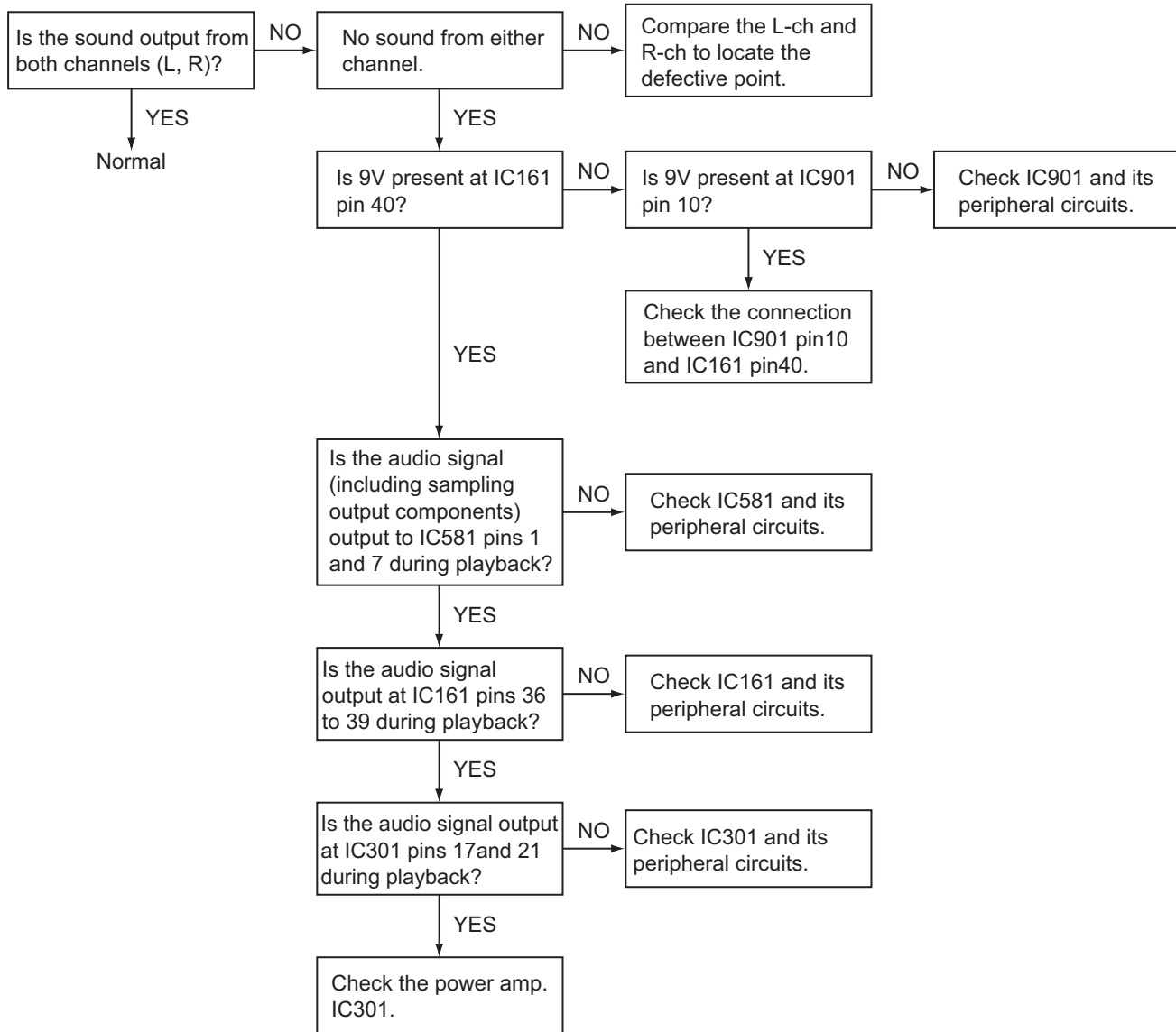
5.3 Spindle section



5.4 Tracking section

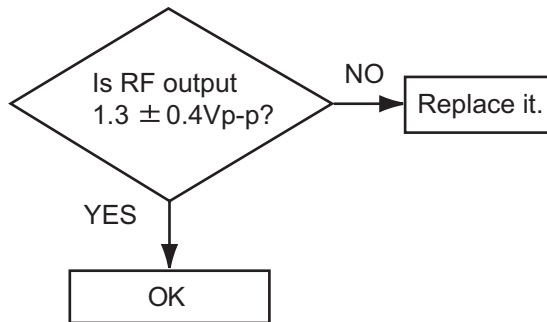


5.5 Signal processing section



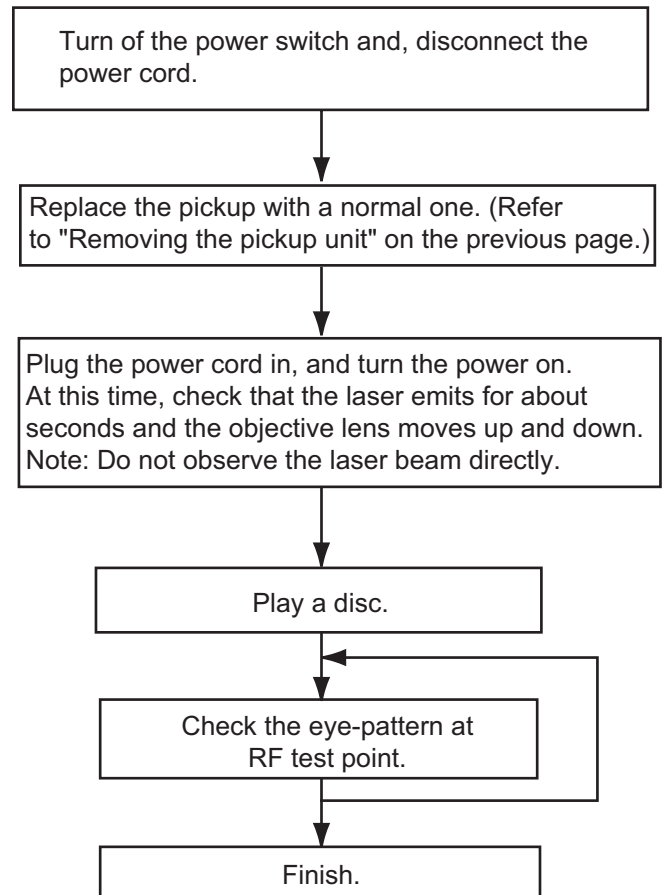
5.6 Maintenance of laser pickup

- (1) Cleaning the pick up lens
Before you replace the pick up, please try to clean the lens with a alcohol soaked cotton swab.
- (2) Life of the laser diode
When the life of the laser diode has expired, the following symptoms will appear.
 - The level of RF output (EFM output: amplitude of eye pattern) will be low.

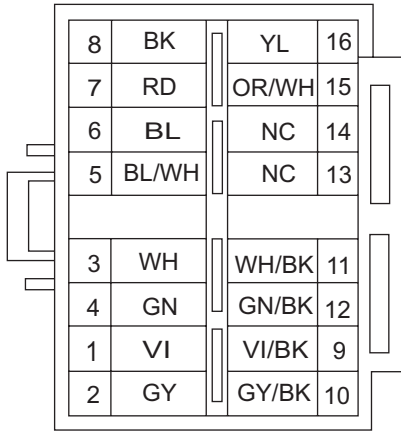


- (3) Semi-fixed resistor on the APC PC board
The semi-fixed resistor on the APC printed circuit board which is attached to the pickup is used to adjust the laser power. Since this adjustment should be performed to match the characteristics of the whole optical block, do not touch the semi-fixed resistor.
If the laser power is lower than the specified value, the laser diode is almost worn out, and the laser pickup should be replaced. If the semi-fixed resistor is adjusted while the pickup is functioning normally, the laser pickup may be damaged due to excessive current.

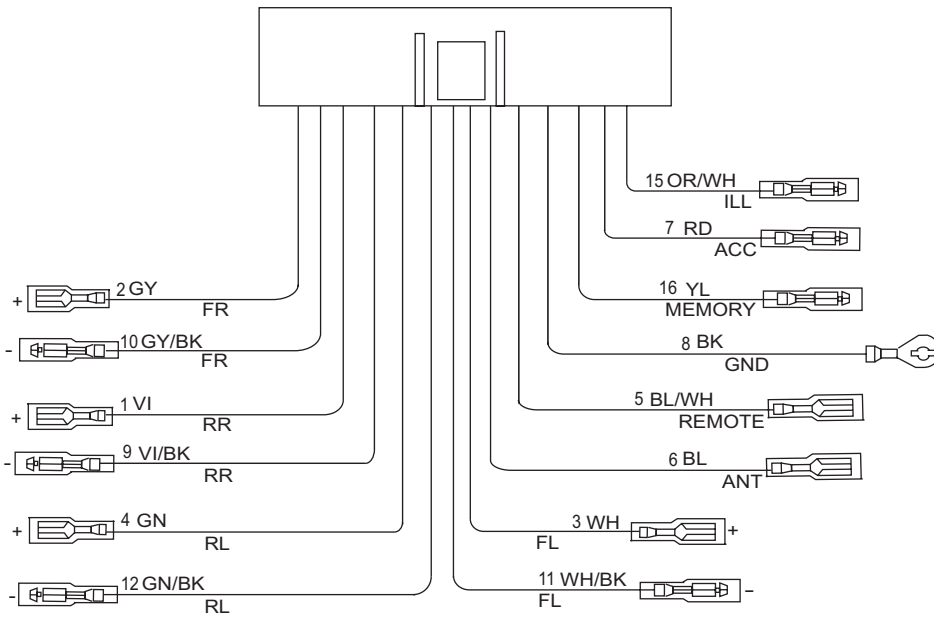
5.7 Replacement of laser pickup



5.8 16 pin cord diagram



BK	Black	GN	Green
RD	Red	VI	Violet
BL	Blue	GY	Gray
WH	White	YL	Yellow
		OR	Orange



RR	Rear Right	ANT	Auto Antenna
FR	Front Right	ACC	ACC Line
FL	Front Left	ILL	Illuminations Control
RL	Rear Left	GND	Ground
REMOTE	Remote	MEMORY	Memory Backup Battery+



JVC

VICTOR COMPANY OF JAPAN, LIMITED

AV & MULTIMEDIA COMPANY MOBILE ENTERTAINMENT CATEGORY 10-1,1chome,Ohwatari-machi,Maebashi-city,371-8543,Japan

(No.MA050)



Printed in Japan
WPC

PARTS LIST

[KD-G700]

* All printed circuit boards and its assemblies are not available as service parts.

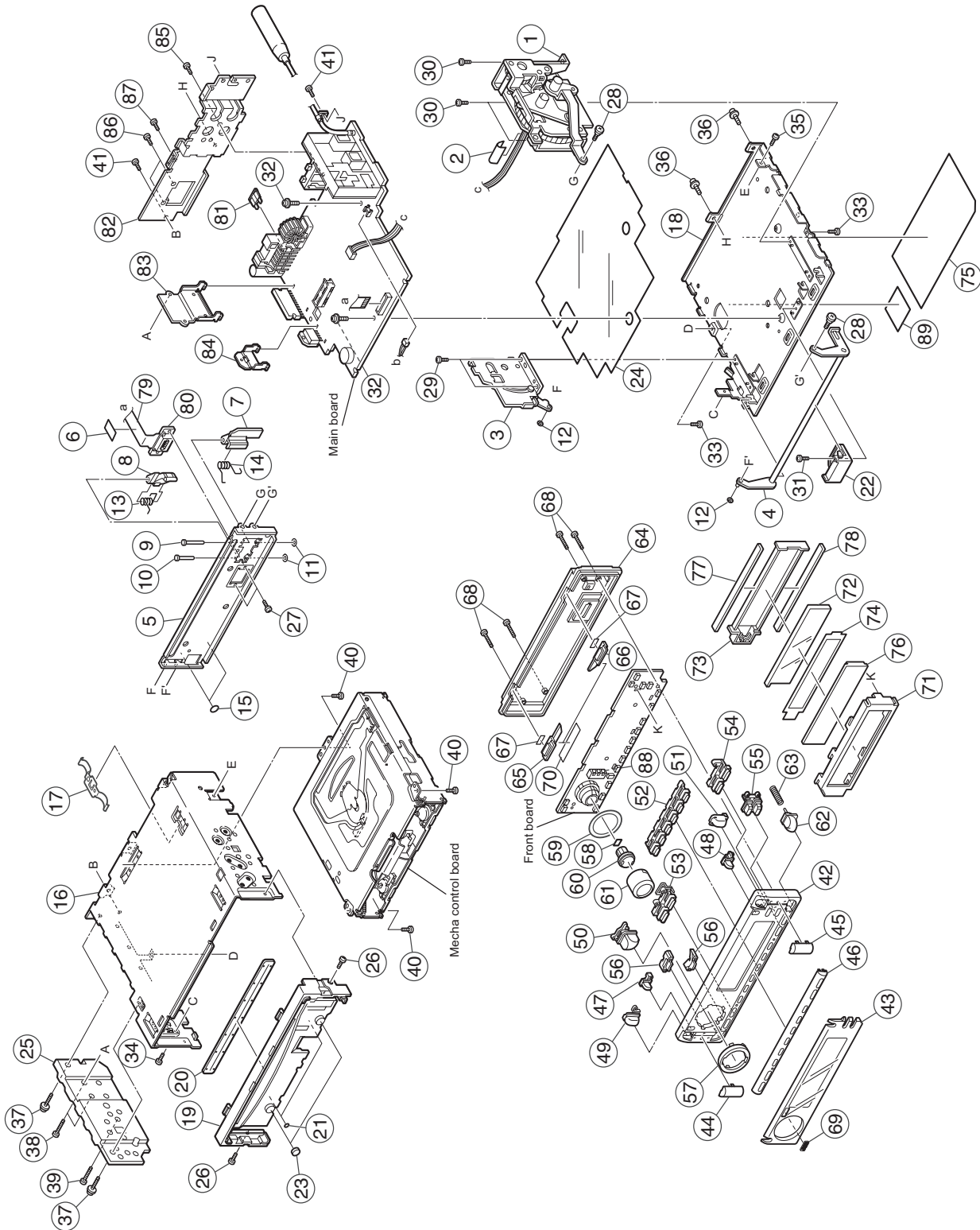
Area suffix
J ----- Northern America

- Contents -

Exploded view of general assembly and parts list (Block No.M1)	3- 2
CD mechanism assembly and parts list (Block No.MB)	3- 4
Electrical parts list (Block No.01~02)	3- 6
Packing materials and accessories parts list (Block No.M3).....	3-12

Exploded view of general assembly and parts list

Block No. M 1 M M



General Assembly

Block No. [M][1][M][M]

△ Symbol No.	Part No.	Part Name	Description	Local
1	GE20156-001A	GEAR BKT UNIT		
2	FSYH4036-100	SHEET		
3	GE30968-001A	LEVER BKT UNIT		
4	GE30964-001A	LOWER LEVER ASS		
5	GE30975-001A	FRONT BKT ASSY		
6	FSYH4036-100	SHEET		
7	GE30972-001A	DETACH LEVER		
8	GE30973-001A	KICK LEVER		
9	GE40192-001A	SHAFT		
10	GE40193-001A	SHAFT		
11	WDL123525	WASHER	(x2)	
12	WDL215025	WASHER	(x2)	
13	GE40194-001A	T SPRING		
14	GE40195-002A	T.SPRING		
15	GE40218-009A	SHEET	(x2)	
16	GE10073-004A	TOP CHASSIS		
17	GE40135-001A	EARTH PLATE		
18	GE10074-001A	BOTTOM CHASSIS		
19	GE10075-001A	FRONT CHASSIS		
20	GE40156-001A	BLIND		
21	GE40224-001A	MIRROR SHEET	(x2)	
22	GE30974-001A	FPC GUIDE		
23	GE40196-001A	ABSORBER	(x2)	
24	GE31204-003A	INSULATOR		
25	GE31206-002A	HEAT SINK		
26	QYSPSP2003M	SCREW	2mm x 3mm(x2)	
27	QYSPSTU2040M	TAP SCREW	M2 x 4mm(x2)	
28	LV42181-002A	SPECIAL SCREW	(x2)	
29	LV40865-001A	MINI SCREW	(x2)	
30	LV40865-001A	MINI SCREW	(x3)	
31	LV40865-001A	MINI SCREW		
32	LV41200-001A	SPECIAL SCREW	(x2)	
33	QYSDST2606Z	SCREW	2.6mm x 6mm(x2)	
34	QYSDST2604Z	SCREW	2.6mm x 4mm	
35	QYSDST2604Z	SCREW	2.6mm x 4mm	
36	LV41200-001A	SPECIAL SCREW	(x2)	
37	FSKZ4005-002	SCREW	(x2)	
38	QYSDST2610Z	SCREW	2.6mm x 10mm(x2)	
39	QYSDST2612Z	SCREW	2.6mm x 12mm	
40	QYSDST2604Z	SCREW	2.6mm x 4mm(x3)	
41	QYSDST2604Z	SCREW	2.6mm x 4mm(x2)	
42	GE10084-001A	FRONT PANEL		
43	GE31184-001A	FINDER ASSY		
44	GE31199-001A	COVER PLATE L		
45	GE31218-001A	COVER PLATE R		
46	GE31198-001A	COVER PLATE B		
47	GE31189-001A	DISPLAY BUTTON		
48	GE31190-001A	ANGLE BUTTON		
49	GE31185-001A	POWER BUTTON		
50	GE31186-001A	MODE BUTTON		
51	GE31187-001A	EJECT BUTTON		
52	GE20166-001A	PRESET BUTTON		
53	GE31191-003A	D.FUNC BUTTON		
54	GE31192-001A	SEARCH BUTTON		
55	GE31193-001A	UP/DOWN BUTTON		
56	GE31197-001A	RIM LENS	(x2)	
57	GE31196-001A	RIM COVER		
58	FSYH4036-032	SHEET		
59	GE40218-002A	SHEET		
60	GE31195-002A	SEL BUTTON		
61	GE31194-001A	KNOB		
62	GE31188-001A	DETACH BUTTON		
63	FSKW3002-012	COMP.SPRING		
64	GE10085-001A	REAR COVER		
65	GE40211-001A	REAR LENS		
66	GE40216-001A	REAR LENS (R)		
67	GE40218-010A	SHEET	(x2)	
68	VKZ4777-001	MINI SCREW	(x4)	
69	GE40204-001A	JVC BADGE		
70	GE40218-005A	SHEET	(x2)	
71	GE31201-002A	LCD CASE		
72	GE31036-001A	LCD LENS		
73	GE31037-001A	LENS CASE		
74	GE40200-002A	LIGHTING SHEET		

△ Symbol No.	Part No.	Part Name	Description	Local
75	GE31154-003A	NAME PLATE		
76	QLD0296-001	LCD MODULE	LCD1	
77	QNZ0442-001	LCD CONNECTOR		
78	QNZ0442-001	LCD CONNECTOR		
79	QAL0536-001	FPC CABLE		
80	QNZ0664-001	CAR CONNECTOR		
△ 81	QMFZ047-150-T	FUSE	15A	
82	GE31205-004A	REAR BRACKET		
83	GE40207-001A	POWER IC BKT		
84	GE40124-002A	REG BRACKET		
85	QYSDSF2606Z	SCREW	2.6mm x 6mm	
86	QYSDSF2606Z	SCREW	2.6mm x 6mm(x2)	
87	QYSDST2604Z	SCREW	2.6mm x 4mm	
88	FSKS3017-002	LED HOLDER		
89	GE40218-011A	SHEET		

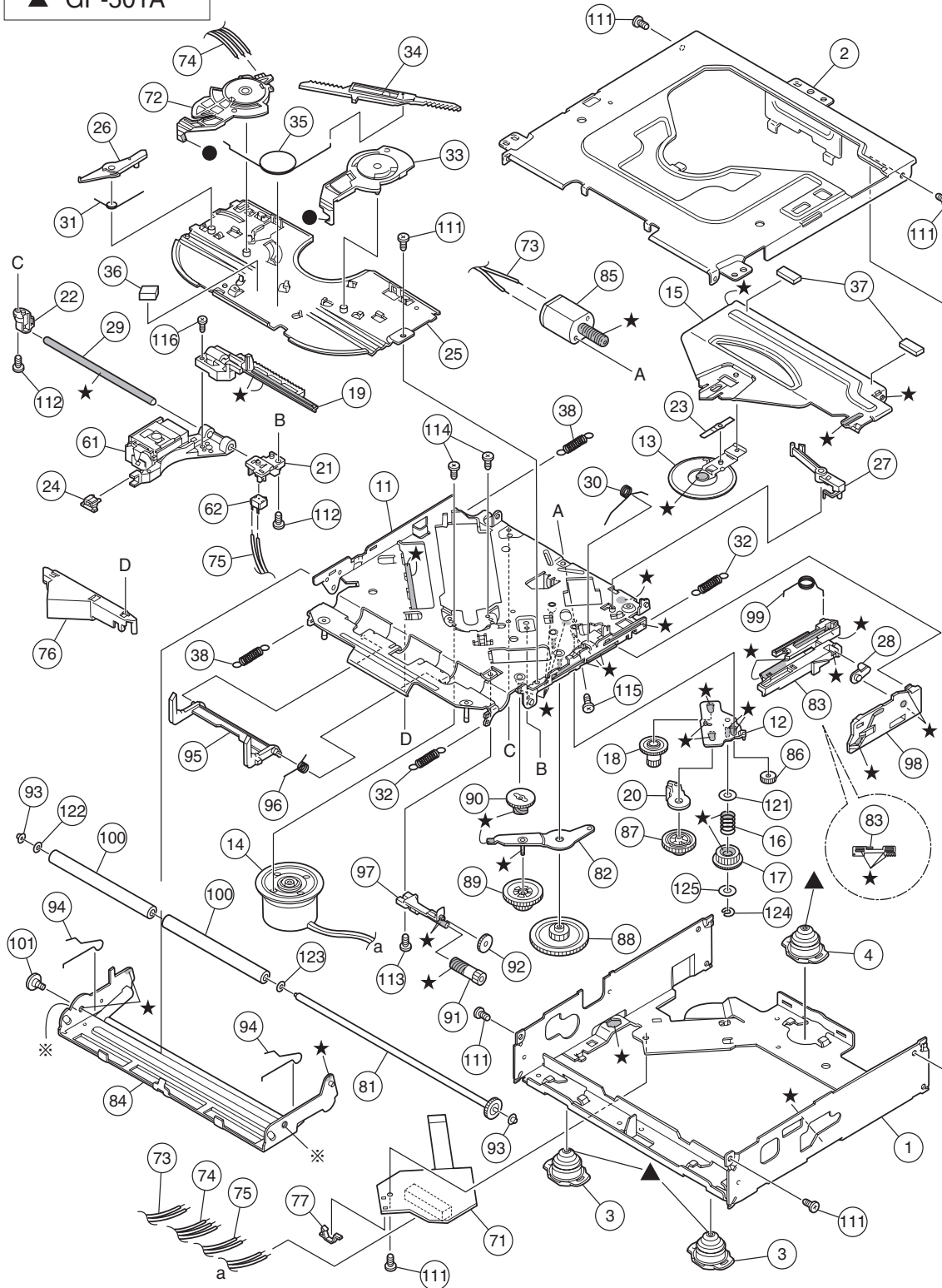
CD mechanism assembly and parts list

Block No. M B M M

Grease

- ★ TNG-87
- ※ GP-501MK
- CFD-005Z
- ▲ GP-501A

TN-2001-1011



CD mechanism

Block No. [M][B][M][M]

△ Symbol No.	Part No.	Part Name	Description	Local
1	30320101T	FRAME		
2	30320102T	TOP COVER		
3	30320115T	DANPER F		
4	30320116T	DANPER R		
11	303205505T	CHASSIS RIVET		
12	303205503T	CHANGE P. RVT A		
13	303205301T	CLAMPER ASS'Y		
14	303205302T	SPINDLE MOTOR A		
15	30320502T	CLAMPER ARM		
16	30320503T	CHANGE GEAR SPG		
17	30320505T	CHANGE GEAR 2		
18	30320506T	FEED GEAR		
19	30320507T	FEED RACK		
20	30320509T	CHANGE LOCK RAR		
21	30320510T	FEED SW HOLDER		
22	30320511T	PU SHAFT HOLDER		
23	30320513T	CLAMPER SUB SPG		
24	30320514T	FD SUB HOLDER		
25	30320518T	TOP PLATE		
26	30320519T	SELECT LOCK ARM		
27	30320520T	TRIGGER ARM		
28	30320521T	SLIDE HOOK		
29	30320522T	PU SHAFT		
30	30320525T	CLAMPER ARM SPG		
31	30320526T	SELECT L ARM SP		
32	30320538T	SUSPENSION SP R		
33	30320529T	SELECT ARM R		
34	30320530T	LINK PLATE		
35	30320531T	LINK PLATE SPG		
36	30320523T	CUSHION F		
37	30320524T	CUSHION R		
38	30320539T	SUSPENSION SP L		
61	69011614T	PICKUP OPT-725		
62	64180406T	DET SW ESE22		
71	303210301T	CONN PWB ASS'Y		
72	30321002T	MODE SW		
73	30321003T	LOAD MOTOR WIRE		
74	30321005T	MODE SW WIRE		
75	30321009T	SL WIRE		
76	30321011T	WIRE HOLDER		
77	19501403T	WIRE CLUMPER		
81	303211301T	ROLLER SHAFT AS		
82	303211501T	L GEAR PLATE RV		
83	303211302T	LOADING PLATE A		
84	303211502T	LOCK ARM RV ASS		
85	303211303T	L/F MOTOR ASS'Y		
86	30321101T	LOADING GEAR 1		
87	30321102T	LOADING GEAR 2		
88	30321103T	LOADING GEAR 3		
89	30321104T	LOADING GEAR 4		
90	30321105T	LOADING GEAR 5		
91	30321106T	LOADING GEAR 6		
92	30321107T	LOADING GEAR 7		
93	30321111T	ROLLER GUIDE		
94	30321114T	ROLLER GUIDE SP		
95	30321116T	DISC STOPPER AR		
96	30321117T	DISC ST ARM SPG		
97	30321118T	LD GEAR BRACKET		
98	30321125T	L SIDE PLATE		
99	30321131T	LOAD PLATE SPG		
100	30321133T	LDG ROLLER		
101	18211223T	COLLAR SCREW		
111	9P0420031T	SCREW		
112	9P0420041T	TAP.SCREW		
113	9B0320041T	SCREW		
114	9C0117183T	SCREW		
115	9C0120203T	SCREW		
116	9C0317503T	SCREW		
121	9W0130170T	PW 3.5X8X0.3		
122	9W0513060T	HL WASHER		
123	9W0710070T	L WASHER		
124	9E0100152T	E RING		
125	9W0113020T	PW 2.1X4X0.13		

Electrical parts list

Main board

Block No. [0][1][0][0]

△ Symbol No.	Part No.	Part Name	Description	Local
IC31	TB2118F-X	PLL IC		
IC161	BD3807K	IC		
IC301	LA47515	IC		
IC401	TC94A34FG-002	IC		
IC461	NJU772F15-X	IC		
IC481	AK4385VT-X	IC		
IC501	LA6242H-X	IC		
IC521	TA2157FN-X	RF AMP IC		
IC541	TC94A14FA	CD LSI IC		
IC581	NJM4565M-WE	IC		
IC701	UPD784217AGC244	MICON IC		
IC702	IC-PST3433U-X	IC		
IC703	BR24L16F-W-X	IC		
IC901	HA13164A	IC		
IC951	BA6956AN	IC		
Q1	UN2211-X	TRANSISTOR		
Q2	2SD601A/R/-X	TRANSISTOR		
Q4	2SB709A/R/-X	TRANSISTOR		
Q5	2SB624/4/-X	TRANSISTOR		
Q6	UN2211-X	TRANSISTOR		
Q7	UN2211-X	TRANSISTOR		
Q31	UN2211-X	TRANSISTOR		
Q241	2SD601A/R/-X	TRANSISTOR		
Q321	2SD1781K/QR/-X	TRANSISTOR		
Q331	2SD1781K/QR/-X	TRANSISTOR		
Q341	2SD1781K/QR/-X	TRANSISTOR		
Q351	2SD1781K/QR/-X	TRANSISTOR		
Q401	UN2211-X	TRANSISTOR		
Q402	UN2211-X	TRANSISTOR		
Q403	2SB624/4/-X	TRANSISTOR		
Q404	UN2211-X	TRANSISTOR		
Q481	UN2111-X	TRANSISTOR		
Q501	2SB1322/RS-T	TRANSISTOR		
Q521	2SB1241/QR-T	TRANSISTOR		
Q542	UN2211-X	TRANSISTOR		
Q781	UN2111-X	TRANSISTOR		
Q782	UN2211-X	TRANSISTOR		
Q783	UN2111-X	TRANSISTOR		
Q841	UN2211-X	TRANSISTOR		
Q881	UN2211-X	TRANSISTOR		
Q901	2SB709A/QR/-X	TRANSISTOR		
Q902	UN2211-X	TRANSISTOR		
Q951	UN2211-X	TRANSISTOR		
D1	1SS355-X	SI DIODE		
D2	1SS355-X	SI DIODE		
D3	1SS355-X	SI DIODE		
D4	1SS355-X	SI DIODE		
D161	1SS355-X	SI DIODE		
D162	1SS355-X	SI DIODE		
D241	RB160M-30-X	SB DIODE		
D242	1SS355-X	SI DIODE		
D243	UDZS5.1B-X	Z DIODE		
D321	1SS355-X	SI DIODE		
D331	1SS355-X	SI DIODE		
D341	1SS355-X	SI DIODE		
D351	1SS355-X	SI DIODE		
D481	UDZS5.1B-X	Z DIODE		
D501	1A3G-T1	SI DIODE		
D702	1SS355-X	SI DIODE		
D704	UDZS6.2B-X	Z DIODE		
D705	UDZS6.2B-X	Z DIODE		
D706	UDZS6.2B-X	Z DIODE		
D717	UDZS6.2B-X	Z DIODE		
D718	1SS355-X	SI DIODE		
D719	1SS355-X	SI DIODE		
D781	1SS355-X	SI DIODE		
D782	1SS355-X	SI DIODE		
D783	UDZS11B-X	Z DIODE		
D901	1N5401-TU-15	DIODE		
D902	RB160M-30-X	SB DIODE		

△ Symbol No.	Part No.	Part Name	Description	Local
D903	RB160M-30-X	SB DIODE		
D904	1SS355-X	SI DIODE		
D951	UDZS3.9B-X	Z DIODE		
C2	NCB31EK-473X	C CAPACITOR	0.047uF 25V K	
C3	QEKJ1CM-226Z	E CAPACITOR	22uF 16V M	
C4	QEKJ1AM-227Z	E CAPACITOR	220uF 10V M	
C5	NCB31HK-103X	C CAPACITOR	0.01uF 50V K	
C6	QEKJ1CM-106Z	E CAPACITOR	10uF 16V M	
C7	NDC31HJ-100X	C CAPACITOR	10pF 50V J	
C8	NCB31HK-102X	C CAPACITOR	1000pF 50V K	
C9	NCB31EK-104X	C CAPACITOR	0.1uF 25V K	
C10	QEKJ1HM-104Z	E CAPACITOR	0.1uF 50V M	
C31	QEKJ1AM-107Z	E CAPACITOR	100pF 50V J	
C32	NDC31HJ-470X	C CAPACITOR	47pF 50V J	
C33	QEKJ0JM-476Z	E CAPACITOR	47uF 6.3V M	
C34	NCB31EK-473X	C CAPACITOR	0.047uF 25V K	
C35	NDC31HJ-100X	C CAPACITOR	10pF 50V J	
C36	NDC31HJ-7R0X	C CAPACITOR	7pF 50V J	
C37	NDC31HJ-100X	C CAPACITOR	10pF 50V J	
C38	NCB31HK-102X	C CAPACITOR	1000pF 50V K	
C39	NCB31HK-102X	C CAPACITOR	1000pF 50V K	
C40	QEKJ1CM-106Z	E CAPACITOR	10uF 16V M	
C41	NCB31EK-473X	C CAPACITOR	0.047uF 25V K	
C42	NCB31HK-103X	C CAPACITOR	0.01uF 50V K	
C43	QFV61HJ-473Z	MF CAPACITOR	0.047uF 50V J	
C44	NCB31HK-103X	C CAPACITOR	0.01uF 50V K	
C45	NCB31HK-272X	C CAPACITOR	2700pF 50V K	
C46	NCB31HK-103X	C CAPACITOR	0.01uF 50V K	
C47	NCB31HK-103X	C CAPACITOR	0.01uF 50V K	
C48	NCB31EK-473X	C CAPACITOR	0.047uF 25V K	
C50	NDC31HJ-101X	C CAPACITOR	100pF 50V J	
C55	NDC31HJ-331X	C CAPACITOR	330pF 50V J	
C81	NCB31HK-153X	C CAPACITOR	0.015uF 50V K	
C82	NCB31HK-103X	C CAPACITOR	0.01uF 50V K	
C83	NCB31HK-562X	C CAPACITOR	5600pF 50V K	
C84	QEKJ1HM-105Z	E CAPACITOR	1uF 50V M	
C91	NCB31HK-153X	C CAPACITOR	0.015uF 50V K	
C92	NCB31HK-103X	C CAPACITOR	0.01uF 50V K	
C93	NCB31HK-562X	C CAPACITOR	5600pF 50V K	
C94	QEKJ1HM-105Z	E CAPACITOR	1uF 50V M	
C161	QEKJ1CM-106Z	E CAPACITOR	10uF 16V M	
C162	QEKJ1HM-105Z	E CAPACITOR	1uF 50V M	
C163	QEKJ1HM-105Z	E CAPACITOR	1uF 50V M	
C164	QEKJ1HM-105Z	E CAPACITOR	1uF 50V M	
C165	QEKJ1HM-105Z	E CAPACITOR	1uF 50V M	
C168	NCB31HK-221X	C CAPACITOR	220pF 50V K	
C169	NCB31EK-104X	C CAPACITOR	0.1uF 25V K	
C170	NCB31HK-221X	C CAPACITOR	220pF 50V K	
C171	NCB31EK-104X	C CAPACITOR	0.1uF 25V K	
C172	NCB31HK-103X	C CAPACITOR	0.01uF 50V K	
C173	NCB31HK-103X	C CAPACITOR	0.01uF 50V K	
C174	NCB31HK-103X	C CAPACITOR	0.01uF 50V K	
C175	NCB31HK-103X	C CAPACITOR	0.01uF 50V K	
C176	QEKJ1CM-107Z	E CAPACITOR	100uF 16V M	
C177	NCB31EK-104X	C CAPACITOR	0.1uF 25V K	
C178	QEKJ1HM-475Z	E CAPACITOR	4.7uF 50V M	
C179	QEKJ1HM-475Z	E CAPACITOR	4.7uF 50V M	
C180	QEKJ1HM-475Z	E CAPACITOR	4.7uF 50V M	
C181	QEKJ1HM-475Z	E CAPACITOR	4.7uF 50V M	
C241	NCB31CK-224X	C CAPACITOR	0.22uF 16V K	
C242	NCB31EK-473X	C CAPACITOR	0.047uF 25V K	
C243	QEKJ1CM-226Z	E CAPACITOR	22uF 16V M	
C244	QEKJ1HM-105Z	E CAPACITOR	1uF 50V M	
C301	QEKJ1HM-105Z	E CAPACITOR	1uF 50V M	
C302	QEKJ1CM-226Z	E CAPACITOR	22uF 16V M	
C303	NCB31EK-223X	C CAPACITOR	0.022uF 25V K	
C304	QEKJ1CM-476Z	E CAPACITOR	47uF 16V M	
C305	QEKJ1CM-226Z	E CAPACITOR	22uF 16V M	
C306	NCB31EK-223X	C CAPACITOR	0.022uF 25V K	
C307	QEKJ1HM-105Z	E CAPACITOR	1uF 50V M	
C308	NCB31EK-104X	C CAPACITOR	0.1uF 25V K	
C309	NCB31EK-104X	C CAPACITOR	0.1uF 25V K	
C310	NCB31EK-104X	C CAPACITOR	0.1uF 25V K	
C311	NCB31EK-104X	C CAPACITOR	0.1uF 25V K	
C312	NDC31HJ-101X	C CAPACITOR	100pF 50V J	

△ Symbol No.	Part No.	Part Name	Description	Local	△ Symbol No.	Part No.	Part Name	Description	Local
C313	NDC31HJ-101X	C CAPACITOR	100pF 50V J		C559	NCB31EK-473X	C CAPACITOR	0.047uF 25V K	
C314	NDC31HJ-101X	C CAPACITOR	100pF 50V J		C560	NCB31HK-103X	C CAPACITOR	0.01uF 50V K	
C315	NDC31HJ-101X	C CAPACITOR	100pF 50V J		C561	QEKJ0JM-107Z	E CAPACITOR	100uF 6.3V M	
C316	NDC31HJ-101X	C CAPACITOR	100pF 50V J		C562	NCB31HK-103X	C CAPACITOR	0.01uF 50V K	
C317	NDC31HJ-101X	C CAPACITOR	100pF 50V J		C565	NCB31HK-103X	C CAPACITOR	0.01uF 50V K	
C318	NDC31HJ-101X	C CAPACITOR	100pF 50V J		C566	QEKJ0JM-107Z	E CAPACITOR	100uF 6.3V M	
C319	NDC31HJ-101X	C CAPACITOR	100pF 50V J		C571	NCB31HK-103X	C CAPACITOR	0.01uF 50V K	
C320	QEKJ1CM-107Z	E CAPACITOR	100uF 16V M		C572	NCB31HK-103X	C CAPACITOR	0.01uF 50V K	
C321	NCS31HJ-391X	C CAPACITOR	390pF 50V J		C580	QEKJ1EM-475Z	E CAPACITOR	4.7uF 25V M	
C322	QFVD1HJ-474Z	MF CAPACITOR	0.47uF 50V J		C581	NCB31HK-332X	C CAPACITOR	3300pF 50V K	
C331	NCS31HJ-391X	C CAPACITOR	390pF 50V J		C582	NDC31HJ-271X	C CAPACITOR	270pF 50V J	
C332	QFVD1HJ-474Z	MF CAPACITOR	0.47uF 50V J		C583	NDC31HJ-271X	C CAPACITOR	270pF 50V J	
C333	NCB31EK-473X	C CAPACITOR	0.047uF 25V K		C584	NCB31EK-104X	C CAPACITOR	0.1uF 25V K	
C341	NCS31HJ-391X	C CAPACITOR	390pF 50V J		C585	QEKJ0JM-476Z	E CAPACITOR	47uF 6.3V M	
C342	QFVD1HJ-474Z	MF CAPACITOR	0.47uF 50V J		C589	QEKJ1EM-475Z	E CAPACITOR	4.7uF 25V M	
C344	NCB31EK-473X	C CAPACITOR	0.047uF 25V K		C590	QEKJ1EM-475Z	E CAPACITOR	4.7uF 25V M	
C351	NCS31HJ-391X	C CAPACITOR	390pF 50V J		C591	NCB31HK-332X	C CAPACITOR	3300pF 50V K	
C352	QFVD1HJ-474Z	MF CAPACITOR	0.47uF 50V J		C592	NDC31HJ-271X	C CAPACITOR	270pF 50V J	
C401	NCB31HK-103X	C CAPACITOR	0.01uF 50V K		C593	NDC31HJ-271X	C CAPACITOR	270pF 50V J	
C402	NCB31HK-103X	C CAPACITOR	0.01uF 50V K		C594	NCB31EK-104X	C CAPACITOR	0.1uF 25V K	
C403	QEKJ1HM-105Z	E CAPACITOR	1uF 50V M		C595	QEKJ0JM-476Z	E CAPACITOR	47uF 6.3V M	
C404	NCB31HK-103X	C CAPACITOR	0.01uF 50V K		C596	QEKJ1AM-107Z	E CAPACITOR	100uF 10V M	
C405	NCB31HK-103X	C CAPACITOR	0.01uF 50V K		C597	NCB31HK-103X	C CAPACITOR	0.01uF 50V K	
C406	QEKJ0JM-107Z	E CAPACITOR	100uF 6.3V M		C599	QEKJ1EM-475Z	E CAPACITOR	4.7uF 25V M	
C407	NCB31HK-103X	C CAPACITOR	0.01uF 50V K		C702	NCB31EK-473X	C CAPACITOR	0.047uF 25V K	
C408	NDC31HJ-8R0X	C CAPACITOR	8pF 50V J		C703	NDC31HJ-8R0X	C CAPACITOR	8pF 50V J	
C409	NDC31HJ-7R0X	C CAPACITOR	7pF 50V J		C704	NDC31HJ-270X	C CAPACITOR	27pF 50V J	
C410	NCB31EK-104X	C CAPACITOR	0.1uF 25V K		C705	NDC31HJ-270X	C CAPACITOR	27pF 50V J	
C411	NCB31HK-222X	C CAPACITOR	2200pF 50V K		C706	NDC31HJ-220X	C CAPACITOR	22pF 50V J	
C412	NCB31HK-103X	C CAPACITOR	0.01uF 50V K		C707	NCB31EK-473X	C CAPACITOR	0.047uF 25V K	
C461	NCB31EK-104X	C CAPACITOR	0.1uF 25V K		C708	NCB31HK-103X	C CAPACITOR	0.01uF 50V K	
C462	QEKJ0JM-107Z	E CAPACITOR	100uF 6.3V M		C709	QEKJ0JM-476Z	E CAPACITOR	47uF 6.3V M	
C463	QEKJ0JM-107Z	E CAPACITOR	100uF 6.3V M		C710	NCB31EK-473X	C CAPACITOR	0.047uF 25V K	
C464	NCB31EK-104X	C CAPACITOR	0.1uF 25V K		C711	QEKJ1AM-107Z	E CAPACITOR	100uF 10V M	
C481	QEKJ0JM-476Z	E CAPACITOR	47uF 6.3V M		C712	NDC31HJ-121X	C CAPACITOR	120pF 50V J	
C482	NCB31EK-104X	C CAPACITOR	0.1uF 25V K		C713	NCB31EK-473X	C CAPACITOR	0.047uF 25V K	
C483	NCB31EK-104X	C CAPACITOR	0.1uF 25V K		C714	NCB31EK-104X	C CAPACITOR	0.1uF 25V K	
C501	QEKJ0JM-476Z	E CAPACITOR	47uF 6.3V M		C715	NCB31EK-104X	C CAPACITOR	0.1uF 25V K	
C502	NCB31HK-103X	C CAPACITOR	0.01uF 50V K		C771	NCB31EK-473X	C CAPACITOR	0.047uF 25V K	
C503	QEKJ1AM-107Z	E CAPACITOR	100uF 10V M		C781	QEKJ1AM-227Z	E CAPACITOR	220uF 10V M	
C504	NCB31EK-473X	C CAPACITOR	0.047uF 25V K		C782	QEKJ1CM-226Z	E CAPACITOR	22uF 16V M	
C505	NCB31EK-473X	C CAPACITOR	0.047uF 25V K		C783	NCB31EK-823X	C CAPACITOR	0.082uF 25V K	
C506	NCB31EK-473X	C CAPACITOR	0.047uF 25V K		C784	QEKJ1EM-475Z	E CAPACITOR	4.7uF 25V M	
C507	NCB31EK-473X	C CAPACITOR	0.047uF 25V K		C801	NCB31HK-103X	C CAPACITOR	0.01uF 50V K	
C509	NCB31EK-104X	C CAPACITOR	0.1uF 25V K		C841	QEKJ1HM-105Z	E CAPACITOR	1uF 50V M	
C510	NDC31HJ-680X	C CAPACITOR	68pF 50V J		C881	QEKJ1CM-226Z	E CAPACITOR	22uF 16V M	
C511	NCB31EK-104X	C CAPACITOR	0.1uF 25V K		C901	QE20676-338	E CAPACITOR	3300uF	
C521	NCB31HK-103X	C CAPACITOR	0.01uF 50V K		C902	NCB31EK-104X	C CAPACITOR	0.1uF 25V K	
C522	NCB31HK-103X	C CAPACITOR	0.01uF 50V K		C903	QEKJ1CM-476Z	E CAPACITOR	47uF 16V M	
C523	QEKJ0JM-107Z	E CAPACITOR	100uF 6.3V M		C904	QEKJ1AM-107Z	E CAPACITOR	100uF 10V M	
C524	NCB31HK-103X	C CAPACITOR	0.01uF 50V K		C905	QEKJ1CM-226Z	E CAPACITOR	22uF 16V M	
C525	QEKJ0JM-107Z	E CAPACITOR	100uF 6.3V M		C906	QEKJ1CM-226Z	E CAPACITOR	22uF 16V M	
C527	NCB31HK-682X	C CAPACITOR	6800pF 50V K		C907	QEKJ1CM-226Z	E CAPACITOR	22uF 16V M	
C528	NCB31HK-103X	C CAPACITOR	0.01uF 50V K		C908	NCB31EK-104X	C CAPACITOR	0.1uF 25V K	
C529	QEKJ0JM-107Z	E CAPACITOR	100uF 6.3V M		C909	NCB31CK-104X	C CAPACITOR	0.1uF 16V K	
C530	NCB31EK-104X	C CAPACITOR	0.1uF 25V K		C910	QEKJ1CM-107Z	E CAPACITOR	100uF 16V M	
C531	NCB31EK-104X	C CAPACITOR	0.1uF 25V K		C913	NCB31HK-103X	C CAPACITOR	0.01uF 50V K	
C532	NDC31HJ-680X	C CAPACITOR	68pF 50V J		C914	QEKJ1CM-226Z	E CAPACITOR	22uF 16V M	
C533	NCB31HK-103X	C CAPACITOR	0.01uF 50V K		C915	QEKJ1CM-476Z	E CAPACITOR	47uF 16V M	
C534	NDC31HJ-5R0X	C CAPACITOR	5pF 50V J		C916	QEKJ1CM-106Z	E CAPACITOR	10uF 16V M	
C541	QEKJ1AM-107Z	E CAPACITOR	100uF 10V M		C951	QEKJ1AM-107Z	E CAPACITOR	100uF 10V M	
C542	NCB31HK-103X	C CAPACITOR	0.01uF 50V K		C952	NCB31EK-104X	C CAPACITOR	0.1uF 25V K	
C543	QEKJ1HM-105Z	E CAPACITOR	1uF 50V M		C953	NCB31EK-104X	C CAPACITOR	0.1uF 25V K	
C544	NCB31HK-103X	C CAPACITOR	0.01uF 50V K		C954	NCB31EK-104X	C CAPACITOR	0.1uF 25V K	
C545	NCB31HK-103X	C CAPACITOR	0.01uF 50V K		C990	NCB31HK-103X	C CAPACITOR	0.01uF 50V K	
C546	NDC31HJ-470X	C CAPACITOR	47pF 50V J		C995	NCB31HK-103X	C CAPACITOR	0.01uF 50V K	
C547	NCB31HK-153X	C CAPACITOR	0.015uF 50V K		C996	NCB31HK-103X	C CAPACITOR	0.01uF 50V K	
C548	NCB31HK-103X	C CAPACITOR	0.01uF 50V K		C997	NCB31HK-103X	C CAPACITOR	0.01uF 50V K	
C549	NCB31HK-272X	C CAPACITOR	2700pF 50V K		C998	NCB31HK-103X	C CAPACITOR	0.01uF 50V K	
C550	NCB31HK-103X	C CAPACITOR	0.01uF 50V K		C999	NCB31HK-103X	C CAPACITOR	0.01uF 50V K	
C551	NCB31EK-333X	C CAPACITOR	0.033uF 25V K		R1	NRSA63J-0R0X	MG RESISTOR	0Ω 1/16W J	
C552	NCB31EK-333X	C CAPACITOR	0.033uF 25V K		R2	NRSA63J-103X	MG RESISTOR	10kΩ 1/16W J	
C553	NCB31EK-473X	C CAPACITOR	0.047uF 25V K		R3	NRSA63J-0R0X	MG RESISTOR	0Ω 1/16W J	
C554	NCB31EK-473X	C CAPACITOR	0.047uF 25V K		R5	NRSA63J-473X	MG RESISTOR	47kΩ 1/16W J	
C555	NCB31EK-473X	C CAPACITOR	0.047uF 25V K		R6	NRSA63J-473X	MG RESISTOR	47kΩ 1/16W J	
C556	NCB31HK-471X	C CAPACITOR	470pF 50V K		R7	NRSA63J-472X	MG RESISTOR	4.7kΩ 1/16W J	
C557	NCB31HK-471X	C CAPACITOR	470pF 50V K		R8	NRSA63J-473X	MG RESISTOR	47kΩ 1/16W J	
C558	NCB31EK-473X	C CAPACITOR	0.047uF 25V K						

△ Symbol No.	Part No.	Part Name	Description	Local	△ Symbol No.	Part No.	Part Name	Description	Local
R9	NRSA63J-332X	MG RESISTOR	3.3kΩ 1/16W J		R423	NRSA63J-101X	MG RESISTOR	100Ω 1/16W J	
R10	NRS181J-100X	MG RESISTOR	10Ω 1/8W J		R424	NRSA63J-221X	MG RESISTOR	220Ω 1/16W J	
R12	NRSA63J-103X	MG RESISTOR	10kΩ 1/16W J		R425	NRSA63J-0R0X	MG RESISTOR	0Ω 1/16W J	
R31	NRSA02J-100X	MG RESISTOR	10Ω 1/10W J		R440	NRSA63J-472X	MG RESISTOR	4.7kΩ 1/16W J	
R32	NRSA63J-622X	MG RESISTOR	6.2kΩ 1/16W J		R461	NRSA02J-101X	MG RESISTOR	100Ω 1/10W J	
R33	NRSA63J-103X	MG RESISTOR	10kΩ 1/16W J		R462	NRSA02J-101X	MG RESISTOR	100Ω 1/10W J	
R38	NRSA63J-101X	MG RESISTOR	100Ω 1/16W J		R463	NRSA63J-222X	MG RESISTOR	2.2kΩ 1/16W J	
R39	NRSA63J-0R0X	MG RESISTOR	0Ω 1/16W J		R464	NRSA63J-473X	MG RESISTOR	47kΩ 1/16W J	
R40	NRSA63J-393X	MG RESISTOR	39kΩ 1/16W J		R481	NRSA02J-181X	MG RESISTOR	180Ω 1/10W J	
R41	NRSA63J-103X	MG RESISTOR	10kΩ 1/16W J		R501	NRSA63J-333X	MG RESISTOR	33kΩ 1/16W J	
R42	NRSA02J-100X	MG RESISTOR	10Ω 1/10W J		R502	NRSA63J-822X	MG RESISTOR	8.2kΩ 1/16W J	
R43	NRSA63J-471X	MG RESISTOR	470Ω 1/16W J		R503	NRSA63J-472X	MG RESISTOR	4.7kΩ 1/16W J	
R44	NRSA63J-221X	MG RESISTOR	220Ω 1/16W J		R504	NRSA63J-153X	MG RESISTOR	15kΩ 1/16W J	
R59	NRSA63J-273X	MG RESISTOR	27kΩ 1/16W J		R507	NRSA63J-682X	MG RESISTOR	6.8kΩ 1/16W J	
R72	NRSA63J-222X	MG RESISTOR	2.2kΩ 1/16W J		R508	NRSA63J-302X	MG RESISTOR	3kΩ 1/16W J	
R73	NRSA63J-222X	MG RESISTOR	2.2kΩ 1/16W J		R509	NRSA63J-123X	MG RESISTOR	12kΩ 1/16W J	
R81	NRSA63J-222X	MG RESISTOR	2.2kΩ 1/16W J		R510	NRSA63J-822X	MG RESISTOR	8.2kΩ 1/16W J	
R82	NRSA63J-392X	MG RESISTOR	3.9kΩ 1/16W J		R511	NRSA63J-152X	MG RESISTOR	1.5kΩ 1/16W J	
R91	NRSA63J-222X	MG RESISTOR	2.2kΩ 1/16W J		R512	NRSA63J-152X	MG RESISTOR	1.5kΩ 1/16W J	
R92	NRSA63J-392X	MG RESISTOR	3.9kΩ 1/16W J		R513	NRSA63J-152X	MG RESISTOR	1.5kΩ 1/16W J	
R161	NRSA63J-224X	MG RESISTOR	220kΩ 1/16W J		R514	NRS181J-220X	MG RESISTOR	22Ω 1/8W J	
R162	NRSA63J-224X	MG RESISTOR	220kΩ 1/16W J		R515	NRS181J-220X	MG RESISTOR	22Ω 1/8W J	
R164	NRSA63J-473X	MG RESISTOR	47kΩ 1/16W J		R517	NRSA63J-512X	MG RESISTOR	5.1kΩ 1/16W J	
R165	NRSA63J-472X	MG RESISTOR	4.7kΩ 1/16W J		R518	NRSA63J-822X	MG RESISTOR	8.2kΩ 1/16W J	
R166	NRSA63J-473X	MG RESISTOR	47kΩ 1/16W J		R523	NRSA63J-823X	MG RESISTOR	82kΩ 1/16W J	
R167	NRSA63J-472X	MG RESISTOR	4.7kΩ 1/16W J		R524	NRSA63J-823X	MG RESISTOR	82kΩ 1/16W J	
R168	NRS181J-100X	MG RESISTOR	10Ω 1/8W J		R525	NRSA63J-334X	MG RESISTOR	330kΩ 1/16W J	
R169	NRSA63J-333X	MG RESISTOR	33kΩ 1/16W J		R526	NRSA63J-334X	MG RESISTOR	330kΩ 1/16W J	
R170	NRSA63J-222X	MG RESISTOR	2.2kΩ 1/16W J		R527	NRSA02J-220X	MG RESISTOR	22Ω 1/10W J	
R171	NRSA63J-222X	MG RESISTOR	2.2kΩ 1/16W J		R528	NRSA02J-220X	MG RESISTOR	22Ω 1/10W J	
R172	NRSA63J-273X	MG RESISTOR	27kΩ 1/16W J		R529	NRSA63J-823X	MG RESISTOR	82kΩ 1/16W J	
R173	NRSA63J-273X	MG RESISTOR	27kΩ 1/16W J		R530	NRSA63J-563X	MG RESISTOR	56kΩ 1/16W J	
R174	NRSA63J-473X	MG RESISTOR	47kΩ 1/16W J		R531	NRSA63J-103X	MG RESISTOR	10kΩ 1/16W J	
R175	NRSA63J-473X	MG RESISTOR	47kΩ 1/16W J		R532	NRSA63J-202X	MG RESISTOR	2kΩ 1/16W J	
R176	NRSA63J-473X	MG RESISTOR	47kΩ 1/16W J		R533	NRSA63J-102X	MG RESISTOR	1kΩ 1/16W J	
R177	NRSA63J-473X	MG RESISTOR	47kΩ 1/16W J		R534	NRSA63J-153X	MG RESISTOR	15kΩ 1/16W J	
R178	NRSA63J-273X	MG RESISTOR	27kΩ 1/16W J		R535	NRSA63J-101X	MG RESISTOR	100Ω 1/16W J	
R179	NRSA63J-273X	MG RESISTOR	27kΩ 1/16W J		R536	NRSA63J-821X	MG RESISTOR	820Ω 1/16W J	
R241	NRSA63J-823X	MG RESISTOR	82kΩ 1/16W J		R537	NRSA63J-0R0X	MG RESISTOR	0Ω 1/16W J	
R242	NRSA63J-102X	MG RESISTOR	1kΩ 1/16W J		R539	NRSA02J-151X	MG RESISTOR	150Ω 1/10W J	
R243	NRSA63J-470X	MG RESISTOR	47Ω 1/16W J		R541	NRSA63J-562X	MG RESISTOR	5.6kΩ 1/16W J	
R244	NRSA63J-123X	MG RESISTOR	12kΩ 1/16W J		R542	NRSA63J-473X	MG RESISTOR	47kΩ 1/16W J	
R245	NRSA63J-184X	MG RESISTOR	180kΩ 1/16W J		R543	NRSA63J-474X	MG RESISTOR	470kΩ 1/16W J	
R246	NRSA63J-223X	MG RESISTOR	22kΩ 1/16W J		R544	NRSA63J-103X	MG RESISTOR	10kΩ 1/16W J	
R247	NRSA63J-473X	MG RESISTOR	47kΩ 1/16W J		R545	NRSA63J-103X	MG RESISTOR	10kΩ 1/16W J	
R248	NRSA63J-221X	MG RESISTOR	220Ω 1/16W J		R546	NRSA63J-0R0X	MG RESISTOR	0Ω 1/16W J	
R301	NRSA63J-102X	MG RESISTOR	1kΩ 1/16W J		R547	NRSA63J-0R0X	MG RESISTOR	0Ω 1/16W J	
R321	NRSA63J-821X	MG RESISTOR	820Ω 1/16W J		R548	NRSA63J-0R0X	MG RESISTOR	0Ω 1/16W J	
R322	NRSA63J-101X	MG RESISTOR	100Ω 1/16W J		R549	NRSA63J-101X	MG RESISTOR	100Ω 1/16W J	
R323	NRSA63J-222X	MG RESISTOR	2.2kΩ 1/16W J		R550	NRSA63J-101X	MG RESISTOR	100Ω 1/16W J	
R331	NRSA63J-821X	MG RESISTOR	820Ω 1/16W J		R551	NRSA63J-101X	MG RESISTOR	100Ω 1/16W J	
R332	NRSA63J-101X	MG RESISTOR	100Ω 1/16W J		R552	NRSA63J-101X	MG RESISTOR	100Ω 1/16W J	
R333	NRSA63J-222X	MG RESISTOR	2.2kΩ 1/16W J		R553	NRSA63J-105X	MG RESISTOR	1MΩ 1/16W J	
R341	NRSA63J-821X	MG RESISTOR	820Ω 1/16W J		R558	NRSA63J-103X	MG RESISTOR	10kΩ 1/16W J	
R342	NRSA63J-101X	MG RESISTOR	100Ω 1/16W J		R559	NRSA63J-155X	MG RESISTOR	1.5MΩ 1/16W J	
R343	NRSA63J-222X	MG RESISTOR	2.2kΩ 1/16W J		R581	NRSA63J-822X	MG RESISTOR	8.2kΩ 1/16W J	
R351	NRSA63J-821X	MG RESISTOR	820Ω 1/16W J		R582	NRSA63J-822X	MG RESISTOR	8.2kΩ 1/16W J	
R352	NRSA63J-101X	MG RESISTOR	100Ω 1/16W J		R583	NRSA63J-822X	MG RESISTOR	8.2kΩ 1/16W J	
R353	NRSA63J-222X	MG RESISTOR	2.2kΩ 1/16W J		R584	NRSA63J-181X	MG RESISTOR	180Ω 1/16W J	
R401	NRSA63J-472X	MG RESISTOR	4.7kΩ 1/16W J		R585	NRSA63J-181X	MG RESISTOR	180Ω 1/16W J	
R403	NRSA63J-103X	MG RESISTOR	10kΩ 1/16W J		R586	NRSA63J-682X	MG RESISTOR	6.8kΩ 1/16W J	
R404	NRSA63J-222X	MG RESISTOR	2.2kΩ 1/16W J		R587	NRSA63J-102X	MG RESISTOR	1kΩ 1/16W J	
R406	NRSA63J-472X	MG RESISTOR	4.7kΩ 1/16W J		R588	NRSA63J-102X	MG RESISTOR	1kΩ 1/16W J	
R407	NRSA63J-222X	MG RESISTOR	2.2kΩ 1/16W J		R591	NRSA63J-822X	MG RESISTOR	8.2kΩ 1/16W J	
R408	NRSA63J-222X	MG RESISTOR	2.2kΩ 1/16W J		R592	NRSA63J-822X	MG RESISTOR	8.2kΩ 1/16W J	
R409	NRSA63J-472X	MG RESISTOR	4.7kΩ 1/16W J		R593	NRSA63J-822X	MG RESISTOR	8.2kΩ 1/16W J	
R410	NRSA63J-272X	MG RESISTOR	2.7kΩ 1/16W J		R594	NRSA63J-181X	MG RESISTOR	180Ω 1/16W J	
R411	NRSA63J-470X	MG RESISTOR	47Ω 1/16W J		R595	NRSA63J-181X	MG RESISTOR	180Ω 1/16W J	
R412	NRSA63J-222X	MG RESISTOR	2.2kΩ 1/16W J		R596	NRSA63J-682X	MG RESISTOR	6.8kΩ 1/16W J	
R413	NRSA63J-222X	MG RESISTOR	2.2kΩ 1/16W J		R597	NRSA63J-102X	MG RESISTOR	1kΩ 1/16W J	
R414	NRSA63J-222X	MG RESISTOR	2.2kΩ 1/16W J		R598	NRSA63J-102X	MG RESISTOR	1kΩ 1/16W J	
R415	NRSA63J-472X	MG RESISTOR	4.7kΩ 1/16W J		R703	NRSA63J-473X	MG RESISTOR	47kΩ 1/16W J	
R416	NRSA63J-472X	MG RESISTOR	4.7kΩ 1/16W J		R704	NRSA63J-473X	MG RESISTOR	47kΩ 1/16W J	
R417	NRSA63J-472X	MG RESISTOR	4.7kΩ 1/16W J		R707	NRSA63J-0R0X	MG RESISTOR	0Ω 1/16W J	
R418	NRSA63J-103X	MG RESISTOR	10kΩ 1/16W J		R708	NRSA63J-821X	MG RESISTOR	820Ω 1/16W J	
R419	NRSA63J-223X	MG RESISTOR	22kΩ 1/16W J		R709	NRSA63J-473X	MG RESISTOR	47kΩ 1/16W J	
R420	NRSA63J-473X	MG RESISTOR	47kΩ 1/16W J		R710	NRSA63J-103X	MG RESISTOR	10kΩ 1/16W J	
R422	NRSA63J-225X	MG RESISTOR	2.2MΩ 1/16W J		R711	NRSA63J-103X	MG RESISTOR	10kΩ 1/16W J	

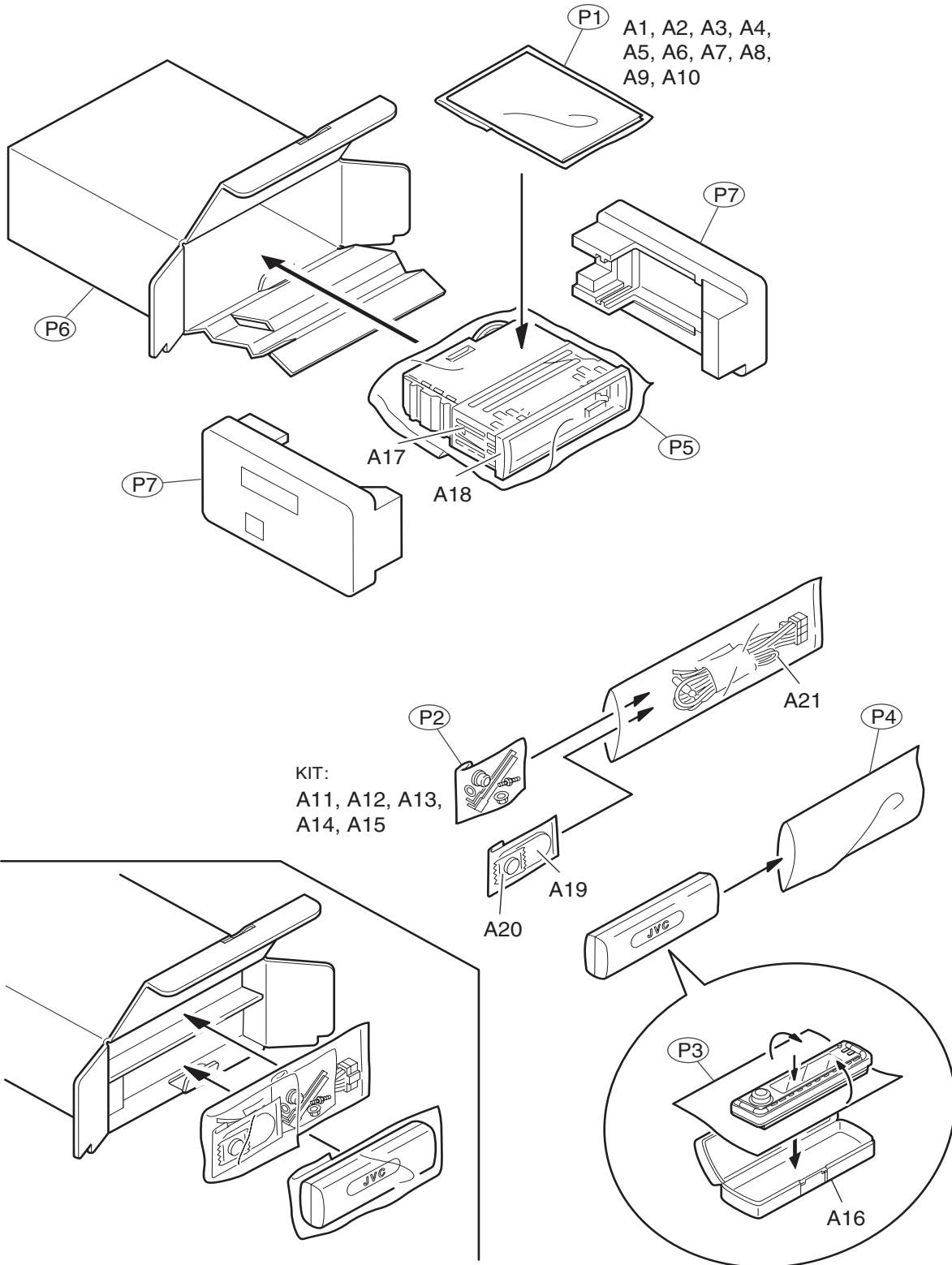
△ Symbol No.	Part No.	Part Name	Description	Local	△ Symbol No.	Part No.	Part Name	Description	Local																																																																																																																																																																																																																																																																																																																																																																																																																
R712	NRSA63J-473X	MG RESISTOR	47kΩ 1/16W J		X31	QAX0616-001Z	CRYSTAL	10.250MHz																																																																																																																																																																																																																																																																																																																																																																																																																	
R713	NRSA63J-106X	MG RESISTOR	10MΩ 1/16W J		X401	QAX0413-001Z	CRYSTAL	16.9344MHz																																																																																																																																																																																																																																																																																																																																																																																																																	
R714	NRSA63J-473X	MG RESISTOR	47kΩ 1/16W J		X701	QAX0617-001Z	CRYSTAL	12.500MHz																																																																																																																																																																																																																																																																																																																																																																																																																	
R715	NRSA63J-473X	MG RESISTOR	47kΩ 1/16W J		X702	QAX0401-001	CRYSTAL	32.768kHz																																																																																																																																																																																																																																																																																																																																																																																																																	
R716	NRSA63J-222X	MG RESISTOR	2.2kΩ 1/16W J		<h3 style="text-align: center;">Front board</h3> <p style="text-align: right;">Block No. [0][2][0][0]</p> <table border="1"> <thead> <tr> <th>△ Symbol No.</th> <th>Part No.</th> <th>Part Name</th> <th>Description</th> <th>Local</th> </tr> </thead> <tbody> <tr> <td>IC601</td> <td>PT6578LQ</td> <td>IC</td> <td></td> <td></td> </tr> <tr> <td>IC602</td> <td>RPM7338-V4</td> <td>REMOCON RCV</td> <td></td> <td></td> </tr> <tr> <td>Q641</td> <td>2SB624/4/-X</td> <td>TRANSISTOR</td> <td></td> <td></td> </tr> <tr> <td>Q643</td> <td>UN2211-X</td> <td>TRANSISTOR</td> <td></td> <td></td> </tr> <tr> <td>Q644</td> <td>UN2211-X</td> <td>TRANSISTOR</td> <td></td> <td></td> </tr> <tr> <td>D601</td> <td>SML-310LT/MN/-X</td> <td>LED</td> <td></td> <td></td> </tr> <tr> <td>D602</td> <td>SML-310VT/JK/-X</td> <td>LED</td> <td></td> <td></td> </tr> <tr> <td>D603</td> <td>SML-310VT/JK/-X</td> <td>LED</td> <td></td> <td></td> </tr> <tr> <td>D604</td> <td>SML-310VT/JK/-X</td> <td>LED</td> <td></td> <td></td> </tr> <tr> <td>D605</td> <td>SML-310VT/JK/-X</td> <td>LED</td> <td></td> <td></td> </tr> <tr> <td>D606</td> <td>SML-310VT/JK/-X</td> <td>LED</td> <td></td> <td></td> </tr> <tr> <td>D607</td> <td>SML-310VT/JK/-X</td> <td>LED</td> <td></td> <td></td> </tr> <tr> <td>D608</td> <td>SML-310VT/JK/-X</td> <td>LED</td> <td></td> <td></td> </tr> <tr> <td>D609</td> <td>SML-310VT/JK/-X</td> <td>LED</td> <td></td> <td></td> </tr> <tr> <td>D610</td> <td>SML-310VT/JK/-X</td> <td>LED</td> <td></td> <td></td> </tr> <tr> <td>D611</td> <td>SML-310VT/JK/-X</td> <td>LED</td> <td></td> <td></td> </tr> <tr> <td>D612</td> <td>SML-310VT/JK/-X</td> <td>LED</td> <td></td> <td></td> </tr> <tr> <td>D613</td> <td>SML-310VT/JK/-X</td> <td>LED</td> <td></td> <td></td> </tr> <tr> <td>D614</td> <td>SML-310VT/JK/-X</td> <td>LED</td> <td></td> <td></td> </tr> <tr> <td>D616</td> <td>SML-310VT/JK/-X</td> <td>LED</td> <td></td> <td></td> </tr> <tr> <td>D617</td> <td>SML-310VT/JK/-X</td> <td>LED</td> <td></td> <td></td> </tr> <tr> <td>D618</td> <td>SML-310VT/JK/-X</td> <td>LED</td> <td></td> <td></td> </tr> <tr> <td>D620</td> <td>SML-310VT/JK/-X</td> <td>LED</td> <td></td> <td></td> </tr> <tr> <td>D621</td> <td>SML-310VT/JK/-X</td> <td>LED</td> <td></td> <td></td> </tr> <tr> <td>D622</td> <td>SML-310VT/JK/-X</td> <td>LED</td> <td></td> <td></td> </tr> <tr> <td>D623</td> <td>SML-310VT/JK/-X</td> <td>LED</td> <td></td> <td></td> </tr> <tr> <td>D624</td> <td>SML-A12BC2T-X</td> <td>BLUELED</td> <td></td> <td></td> </tr> <tr> <td>D625</td> <td>SML-A12BC2T-X</td> <td>BLUELED</td> <td></td> <td></td> </tr> <tr> <td>D641</td> <td>NSPW310BS/BRS/</td> <td>LED</td> <td></td> <td></td> </tr> <tr> <td>D642</td> <td>NSPW310BS/BRS/</td> <td>LED</td> <td></td> <td></td> </tr> <tr> <td>D643</td> <td>NSPW310BS/BRS/</td> <td>LED</td> <td></td> <td></td> </tr> <tr> <td>D650</td> <td>UDZS9.1B-X</td> <td>Z DIODE</td> <td></td> <td></td> </tr> <tr> <td>D651</td> <td>UDZS5.1B-X</td> <td>Z DIODE</td> <td></td> <td></td> </tr> <tr> <td>D652</td> <td>1SS355-X</td> <td>SI DIODE</td> <td></td> <td></td> </tr> <tr> <td>D653</td> <td>1SS355-X</td> <td>SI DIODE</td> <td></td> <td></td> </tr> <tr> <td>D654</td> <td>1SS355-X</td> <td>SI DIODE</td> <td></td> <td></td> </tr> <tr> <td>D655</td> <td>1SS355-X</td> <td>SI DIODE</td> <td></td> <td></td> </tr> <tr> <td>D656</td> <td>1SS355-X</td> <td>SI DIODE</td> <td></td> <td></td> </tr> <tr> <td>D657</td> <td>1SS355-X</td> <td>SI DIODE</td> <td></td> <td></td> </tr> <tr> <td>D658</td> <td>1SS355-X</td> <td>SI DIODE</td> <td></td> <td></td> </tr> <tr> <td>D680</td> <td>UDZS5.6B-X</td> <td>Z DIODE</td> <td>1.5kΩ 1/10W J</td> <td></td> </tr> <tr> <td>L1</td> <td>NQL334J-4R7X</td> <td>COIL</td> <td>4.7uH J</td> <td></td> <td>C601</td> <td>NBE20JM-475X</td> <td>TA E CAPACITOR</td> <td>4.7uF 6.3V M</td> <td></td> </tr> <tr> <td>L401</td> <td>QQL244J-470Z</td> <td>COIL</td> <td>47uH J</td> <td></td> <td>C602</td> <td>NCS31HJ-681X</td> <td>C CAPACITOR</td> <td>680pF 50V J</td> <td></td> </tr> <tr> <td>L402</td> <td>QRE142J-470X</td> <td>C RESISTOR</td> <td>47Ω 1/4W J</td> <td></td> <td>C603</td> <td>NCB31CK-104X</td> <td>C CAPACITOR</td> <td>0.1uF 16V K</td> <td></td> </tr> <tr> <td>L404</td> <td>QQL244J-470Z</td> <td>COIL</td> <td>47uH J</td> <td></td> <td>C604</td> <td>NCB31CK-104X</td> <td>C CAPACITOR</td> <td>0.1uF 16V K</td> <td></td> </tr> <tr> <td>L541</td> <td>QRE142J-470X</td> <td>C RESISTOR</td> <td>47Ω 1/4W J</td> <td></td> <td>C605</td> <td>NCB31CK-104X</td> <td>C CAPACITOR</td> <td>0.1uF 16V K</td> <td></td> </tr> <tr> <td>L543</td> <td>QQL244J-470Z</td> <td>COIL</td> <td>47uH J</td> <td></td> <td>C608</td> <td>NCB31HK-103X</td> <td>C CAPACITOR</td> <td>0.01uF 50V K</td> <td></td> </tr> <tr> <td>L544</td> <td>QQL244J-470Z</td> <td>COIL</td> <td>47uH J</td> <td></td> <td>C609</td> <td>NCB31HK-103X</td> <td>C CAPACITOR</td> <td>0.01uF 50V K</td> <td></td> </tr> <tr> <td>L701</td> <td>QQL244J-470Z</td> <td>COIL</td> <td>47uH J</td> <td></td> <td>C610</td> <td>NBE21CM-475X</td> <td>TA E CAPACITOR</td> <td>4.7uF 16V M</td> <td></td> </tr> <tr> <td>L901</td> <td>QQR1378-002</td> <td>CHOKE COIL</td> <td></td> <td></td> <td>C611</td> <td>NCB31CK-104X</td> <td>C CAPACITOR</td> <td>0.1uF 16V K</td> <td></td> </tr> <tr> <td>BZ841</td> <td>QAN0023-001Z</td> <td>BUZZER</td> <td></td> <td></td> <td>C612</td> <td>NBE20JM-475X</td> <td>TA E CAPACITOR</td> <td>4.7uF 6.3V M</td> <td></td> </tr> <tr> <td>CN501</td> <td>QGB2027M4-22S</td> <td>CONNECTOR</td> <td>B-B (1-22)</td> <td></td> <td>C680</td> <td>NBE20JM-475X</td> <td>TA E CAPACITOR</td> <td>4.7uF 6.3V M</td> <td></td> </tr> <tr> <td>CN701</td> <td>QGF1041C1-16W</td> <td>CONNECTOR</td> <td>FFC/FPC (1-16)</td> <td></td> <td>R601</td> <td>NRSA63J-821X</td> <td>MG RESISTOR</td> <td>820Ω 1/16W J</td> <td></td> </tr> <tr> <td>CN703</td> <td>QJB005-040909</td> <td>SIN ID C-B WIRE</td> <td></td> <td></td> <td>R602</td> <td>NRSA63J-821X</td> <td>MG RESISTOR</td> <td>820Ω 1/16W J</td> <td></td> </tr> <tr> <td>CN901</td> <td>QNZ0611-001</td> <td>16P CONNECTOR</td> <td></td> <td></td> <td>R603</td> <td>NRSA63J-122X</td> <td>MG RESISTOR</td> <td>1.2kΩ 1/16W J</td> <td></td> </tr> <tr> <td>CN951</td> <td>QGA2501F1-02</td> <td>CONNECTOR</td> <td>W-B (1-2)</td> <td></td> <td>R604</td> <td>NRSA63J-182X</td> <td>MG RESISTOR</td> <td>1.8kΩ 1/16W J</td> <td></td> </tr> <tr> <td>J1</td> <td>QAM0556-001</td> <td>ANT CABLE</td> <td></td> <td></td> <td>R605</td> <td>NRSA63J-821X</td> <td>MG RESISTOR</td> <td>820Ω 1/16W J</td> <td></td> </tr> <tr> <td>J301</td> <td>QNN0489-001</td> <td>PIN JACK</td> <td></td> <td></td> <td>R606</td> <td>NRSA63J-821X</td> <td>MG RESISTOR</td> <td>820Ω 1/16W J</td> <td></td> </tr> <tr> <td>PP2</td> <td>QZW0010-001</td> <td>STYLE PIN</td> <td></td> <td></td> <td>R607</td> <td>NRSA63J-122X</td> <td>MG RESISTOR</td> <td>1.2kΩ 1/16W J</td> <td></td> </tr> <tr> <td>TU1</td> <td>QAU0312-001</td> <td>TUNER</td> <td></td> <td></td> <td>R608</td> <td>NRSA63J-182X</td> <td>MG RESISTOR</td> <td>1.8kΩ 1/16W J</td> <td></td> </tr> </tbody> </table>					△ Symbol No.	Part No.	Part Name	Description	Local	IC601	PT6578LQ	IC			IC602	RPM7338-V4	REMOCON RCV			Q641	2SB624/4/-X	TRANSISTOR			Q643	UN2211-X	TRANSISTOR			Q644	UN2211-X	TRANSISTOR			D601	SML-310LT/MN/-X	LED			D602	SML-310VT/JK/-X	LED			D603	SML-310VT/JK/-X	LED			D604	SML-310VT/JK/-X	LED			D605	SML-310VT/JK/-X	LED			D606	SML-310VT/JK/-X	LED			D607	SML-310VT/JK/-X	LED			D608	SML-310VT/JK/-X	LED			D609	SML-310VT/JK/-X	LED			D610	SML-310VT/JK/-X	LED			D611	SML-310VT/JK/-X	LED			D612	SML-310VT/JK/-X	LED			D613	SML-310VT/JK/-X	LED			D614	SML-310VT/JK/-X	LED			D616	SML-310VT/JK/-X	LED			D617	SML-310VT/JK/-X	LED			D618	SML-310VT/JK/-X	LED			D620	SML-310VT/JK/-X	LED			D621	SML-310VT/JK/-X	LED			D622	SML-310VT/JK/-X	LED			D623	SML-310VT/JK/-X	LED			D624	SML-A12BC2T-X	BLUELED			D625	SML-A12BC2T-X	BLUELED			D641	NSPW310BS/BRS/	LED			D642	NSPW310BS/BRS/	LED			D643	NSPW310BS/BRS/	LED			D650	UDZS9.1B-X	Z DIODE			D651	UDZS5.1B-X	Z DIODE			D652	1SS355-X	SI DIODE			D653	1SS355-X	SI DIODE			D654	1SS355-X	SI DIODE			D655	1SS355-X	SI DIODE			D656	1SS355-X	SI DIODE			D657	1SS355-X	SI DIODE			D658	1SS355-X	SI DIODE			D680	UDZS5.6B-X	Z DIODE	1.5kΩ 1/10W J		L1	NQL334J-4R7X	COIL	4.7uH J		C601	NBE20JM-475X	TA E CAPACITOR	4.7uF 6.3V M		L401	QQL244J-470Z	COIL	47uH J		C602	NCS31HJ-681X	C CAPACITOR	680pF 50V J		L402	QRE142J-470X	C RESISTOR	47Ω 1/4W J		C603	NCB31CK-104X	C CAPACITOR	0.1uF 16V K		L404	QQL244J-470Z	COIL	47uH J		C604	NCB31CK-104X	C CAPACITOR	0.1uF 16V K		L541	QRE142J-470X	C RESISTOR	47Ω 1/4W J		C605	NCB31CK-104X	C CAPACITOR	0.1uF 16V K		L543	QQL244J-470Z	COIL	47uH J		C608	NCB31HK-103X	C CAPACITOR	0.01uF 50V K		L544	QQL244J-470Z	COIL	47uH J		C609	NCB31HK-103X	C CAPACITOR	0.01uF 50V K		L701	QQL244J-470Z	COIL	47uH J		C610	NBE21CM-475X	TA E CAPACITOR	4.7uF 16V M		L901	QQR1378-002	CHOKE COIL			C611	NCB31CK-104X	C CAPACITOR	0.1uF 16V K		BZ841	QAN0023-001Z	BUZZER			C612	NBE20JM-475X	TA E CAPACITOR	4.7uF 6.3V M		CN501	QGB2027M4-22S	CONNECTOR	B-B (1-22)		C680	NBE20JM-475X	TA E CAPACITOR	4.7uF 6.3V M		CN701	QGF1041C1-16W	CONNECTOR	FFC/FPC (1-16)		R601	NRSA63J-821X	MG RESISTOR	820Ω 1/16W J		CN703	QJB005-040909	SIN ID C-B WIRE			R602	NRSA63J-821X	MG RESISTOR	820Ω 1/16W J		CN901	QNZ0611-001	16P CONNECTOR			R603	NRSA63J-122X	MG RESISTOR	1.2kΩ 1/16W J		CN951	QGA2501F1-02	CONNECTOR	W-B (1-2)		R604	NRSA63J-182X	MG RESISTOR	1.8kΩ 1/16W J		J1	QAM0556-001	ANT CABLE			R605	NRSA63J-821X	MG RESISTOR	820Ω 1/16W J		J301	QNN0489-001	PIN JACK			R606	NRSA63J-821X	MG RESISTOR	820Ω 1/16W J		PP2	QZW0010-001	STYLE PIN			R607	NRSA63J-122X	MG RESISTOR	1.2kΩ 1/16W J		TU1	QAU0312-001	TUNER			R608	NRSA63J-182X	MG RESISTOR	1.8kΩ 1/16W J	
△ Symbol No.	Part No.	Part Name	Description	Local																																																																																																																																																																																																																																																																																																																																																																																																																					
IC601	PT6578LQ	IC																																																																																																																																																																																																																																																																																																																																																																																																																							
IC602	RPM7338-V4	REMOCON RCV																																																																																																																																																																																																																																																																																																																																																																																																																							
Q641	2SB624/4/-X	TRANSISTOR																																																																																																																																																																																																																																																																																																																																																																																																																							
Q643	UN2211-X	TRANSISTOR																																																																																																																																																																																																																																																																																																																																																																																																																							
Q644	UN2211-X	TRANSISTOR																																																																																																																																																																																																																																																																																																																																																																																																																							
D601	SML-310LT/MN/-X	LED																																																																																																																																																																																																																																																																																																																																																																																																																							
D602	SML-310VT/JK/-X	LED																																																																																																																																																																																																																																																																																																																																																																																																																							
D603	SML-310VT/JK/-X	LED																																																																																																																																																																																																																																																																																																																																																																																																																							
D604	SML-310VT/JK/-X	LED																																																																																																																																																																																																																																																																																																																																																																																																																							
D605	SML-310VT/JK/-X	LED																																																																																																																																																																																																																																																																																																																																																																																																																							
D606	SML-310VT/JK/-X	LED																																																																																																																																																																																																																																																																																																																																																																																																																							
D607	SML-310VT/JK/-X	LED																																																																																																																																																																																																																																																																																																																																																																																																																							
D608	SML-310VT/JK/-X	LED																																																																																																																																																																																																																																																																																																																																																																																																																							
D609	SML-310VT/JK/-X	LED																																																																																																																																																																																																																																																																																																																																																																																																																							
D610	SML-310VT/JK/-X	LED																																																																																																																																																																																																																																																																																																																																																																																																																							
D611	SML-310VT/JK/-X	LED																																																																																																																																																																																																																																																																																																																																																																																																																							
D612	SML-310VT/JK/-X	LED																																																																																																																																																																																																																																																																																																																																																																																																																							
D613	SML-310VT/JK/-X	LED																																																																																																																																																																																																																																																																																																																																																																																																																							
D614	SML-310VT/JK/-X	LED																																																																																																																																																																																																																																																																																																																																																																																																																							
D616	SML-310VT/JK/-X	LED																																																																																																																																																																																																																																																																																																																																																																																																																							
D617	SML-310VT/JK/-X	LED																																																																																																																																																																																																																																																																																																																																																																																																																							
D618	SML-310VT/JK/-X	LED																																																																																																																																																																																																																																																																																																																																																																																																																							
D620	SML-310VT/JK/-X	LED																																																																																																																																																																																																																																																																																																																																																																																																																							
D621	SML-310VT/JK/-X	LED																																																																																																																																																																																																																																																																																																																																																																																																																							
D622	SML-310VT/JK/-X	LED																																																																																																																																																																																																																																																																																																																																																																																																																							
D623	SML-310VT/JK/-X	LED																																																																																																																																																																																																																																																																																																																																																																																																																							
D624	SML-A12BC2T-X	BLUELED																																																																																																																																																																																																																																																																																																																																																																																																																							
D625	SML-A12BC2T-X	BLUELED																																																																																																																																																																																																																																																																																																																																																																																																																							
D641	NSPW310BS/BRS/	LED																																																																																																																																																																																																																																																																																																																																																																																																																							
D642	NSPW310BS/BRS/	LED																																																																																																																																																																																																																																																																																																																																																																																																																							
D643	NSPW310BS/BRS/	LED																																																																																																																																																																																																																																																																																																																																																																																																																							
D650	UDZS9.1B-X	Z DIODE																																																																																																																																																																																																																																																																																																																																																																																																																							
D651	UDZS5.1B-X	Z DIODE																																																																																																																																																																																																																																																																																																																																																																																																																							
D652	1SS355-X	SI DIODE																																																																																																																																																																																																																																																																																																																																																																																																																							
D653	1SS355-X	SI DIODE																																																																																																																																																																																																																																																																																																																																																																																																																							
D654	1SS355-X	SI DIODE																																																																																																																																																																																																																																																																																																																																																																																																																							
D655	1SS355-X	SI DIODE																																																																																																																																																																																																																																																																																																																																																																																																																							
D656	1SS355-X	SI DIODE																																																																																																																																																																																																																																																																																																																																																																																																																							
D657	1SS355-X	SI DIODE																																																																																																																																																																																																																																																																																																																																																																																																																							
D658	1SS355-X	SI DIODE																																																																																																																																																																																																																																																																																																																																																																																																																							
D680	UDZS5.6B-X	Z DIODE	1.5kΩ 1/10W J																																																																																																																																																																																																																																																																																																																																																																																																																						
L1	NQL334J-4R7X	COIL	4.7uH J		C601	NBE20JM-475X	TA E CAPACITOR	4.7uF 6.3V M																																																																																																																																																																																																																																																																																																																																																																																																																	
L401	QQL244J-470Z	COIL	47uH J		C602	NCS31HJ-681X	C CAPACITOR	680pF 50V J																																																																																																																																																																																																																																																																																																																																																																																																																	
L402	QRE142J-470X	C RESISTOR	47Ω 1/4W J		C603	NCB31CK-104X	C CAPACITOR	0.1uF 16V K																																																																																																																																																																																																																																																																																																																																																																																																																	
L404	QQL244J-470Z	COIL	47uH J		C604	NCB31CK-104X	C CAPACITOR	0.1uF 16V K																																																																																																																																																																																																																																																																																																																																																																																																																	
L541	QRE142J-470X	C RESISTOR	47Ω 1/4W J		C605	NCB31CK-104X	C CAPACITOR	0.1uF 16V K																																																																																																																																																																																																																																																																																																																																																																																																																	
L543	QQL244J-470Z	COIL	47uH J		C608	NCB31HK-103X	C CAPACITOR	0.01uF 50V K																																																																																																																																																																																																																																																																																																																																																																																																																	
L544	QQL244J-470Z	COIL	47uH J		C609	NCB31HK-103X	C CAPACITOR	0.01uF 50V K																																																																																																																																																																																																																																																																																																																																																																																																																	
L701	QQL244J-470Z	COIL	47uH J		C610	NBE21CM-475X	TA E CAPACITOR	4.7uF 16V M																																																																																																																																																																																																																																																																																																																																																																																																																	
L901	QQR1378-002	CHOKE COIL			C611	NCB31CK-104X	C CAPACITOR	0.1uF 16V K																																																																																																																																																																																																																																																																																																																																																																																																																	
BZ841	QAN0023-001Z	BUZZER			C612	NBE20JM-475X	TA E CAPACITOR	4.7uF 6.3V M																																																																																																																																																																																																																																																																																																																																																																																																																	
CN501	QGB2027M4-22S	CONNECTOR	B-B (1-22)		C680	NBE20JM-475X	TA E CAPACITOR	4.7uF 6.3V M																																																																																																																																																																																																																																																																																																																																																																																																																	
CN701	QGF1041C1-16W	CONNECTOR	FFC/FPC (1-16)		R601	NRSA63J-821X	MG RESISTOR	820Ω 1/16W J																																																																																																																																																																																																																																																																																																																																																																																																																	
CN703	QJB005-040909	SIN ID C-B WIRE			R602	NRSA63J-821X	MG RESISTOR	820Ω 1/16W J																																																																																																																																																																																																																																																																																																																																																																																																																	
CN901	QNZ0611-001	16P CONNECTOR			R603	NRSA63J-122X	MG RESISTOR	1.2kΩ 1/16W J																																																																																																																																																																																																																																																																																																																																																																																																																	
CN951	QGA2501F1-02	CONNECTOR	W-B (1-2)		R604	NRSA63J-182X	MG RESISTOR	1.8kΩ 1/16W J																																																																																																																																																																																																																																																																																																																																																																																																																	
J1	QAM0556-001	ANT CABLE			R605	NRSA63J-821X	MG RESISTOR	820Ω 1/16W J																																																																																																																																																																																																																																																																																																																																																																																																																	
J301	QNN0489-001	PIN JACK			R606	NRSA63J-821X	MG RESISTOR	820Ω 1/16W J																																																																																																																																																																																																																																																																																																																																																																																																																	
PP2	QZW0010-001	STYLE PIN			R607	NRSA63J-122X	MG RESISTOR	1.2kΩ 1/16W J																																																																																																																																																																																																																																																																																																																																																																																																																	
TU1	QAU0312-001	TUNER			R608	NRSA63J-182X	MG RESISTOR	1.8kΩ 1/16W J																																																																																																																																																																																																																																																																																																																																																																																																																	

Symbol No.	Part No.	Part Name	Description	Local
R609	NRSA63J-272X	MG RESISTOR	2.7kΩ 1/16W J	
R610	NRSA63J-392X	MG RESISTOR	3.9kΩ 1/16W J	
R611	NRSA63J-103X	MG RESISTOR	10kΩ 1/16W J	
R612	NRSA63J-821X	MG RESISTOR	820Ω 1/16W J	
R613	NRSA63J-821X	MG RESISTOR	820Ω 1/16W J	
R614	NRSA63J-122X	MG RESISTOR	1.2kΩ 1/16W J	
R615	NRSA63J-182X	MG RESISTOR	1.8kΩ 1/16W J	
R622	NRSA63J-0R0X	MG RESISTOR	0Ω 1/16W J	
R624	NRSA02J-911X	MG RESISTOR	910Ω 1/10W J	
R625	NRSA02J-621X	MG RESISTOR	620Ω 1/10W J	
R628	NRSA02J-911X	MG RESISTOR	910Ω 1/10W J	
R630	NRSA02J-621X	MG RESISTOR	620Ω 1/10W J	
R632	NRSA02J-621X	MG RESISTOR	620Ω 1/10W J	
R633	NRSA02J-621X	MG RESISTOR	620Ω 1/10W J	
R636	NRSA02J-621X	MG RESISTOR	620Ω 1/10W J	
R638	NRSA02J-621X	MG RESISTOR	620Ω 1/10W J	
R639	NRSA02J-911X	MG RESISTOR	910Ω 1/10W J	
R642	NRSA02J-911X	MG RESISTOR	910Ω 1/10W J	
R643	NRSA02J-621X	MG RESISTOR	620Ω 1/10W J	
R646	NRSA02J-911X	MG RESISTOR	910Ω 1/10W J	
R648	NRSA02J-621X	MG RESISTOR	620Ω 1/10W J	
R650	NRSA02J-621X	MG RESISTOR	620Ω 1/10W J	
R651	NRSA02J-621X	MG RESISTOR	620Ω 1/10W J	
R654	NRSA02J-621X	MG RESISTOR	620Ω 1/10W J	
R655	NRS181J-391X	MG RESISTOR	390Ω 1/8W J	
R656	NRS181J-391X	MG RESISTOR	390Ω 1/8W J	
R657	NRS181J-391X	MG RESISTOR	390Ω 1/8W J	
R658	NRS181J-471X	MG RESISTOR	470Ω 1/8W J	
R659	NRS181J-473X	MG RESISTOR	47kΩ 1/8W J	
R660	NRS181J-102X	MG RESISTOR	1kΩ 1/8W J	
R661	NRSA63J-0R0X	MG RESISTOR	0Ω 1/16W J	
R665	NRSA63J-0R0X	MG RESISTOR	0Ω 1/16W J	
R668	NRS181J-102X	MG RESISTOR	1kΩ 1/8W J	
R669	NRSA63J-221X	MG RESISTOR	220Ω 1/16W J	
R670	NRSA63J-394X	MG RESISTOR	390kΩ 1/16W J	
R671	NRSA63J-103X	MG RESISTOR	10kΩ 1/16W J	
R672	NRSA63J-103X	MG RESISTOR	10kΩ 1/16W J	
R673	NRSA63J-103X	MG RESISTOR	10kΩ 1/16W J	
R674	NRSA63J-103X	MG RESISTOR	10kΩ 1/16W J	
R675	NRSA63J-823X	MG RESISTOR	82kΩ 1/16W J	
R676	NRSA63J-332X	MG RESISTOR	3.3kΩ 1/16W J	
R677	NRSA63J-332X	MG RESISTOR	3.3kΩ 1/16W J	
R678	NRSA63J-332X	MG RESISTOR	3.3kΩ 1/16W J	
R679	NRSA63J-151X	MG RESISTOR	150Ω 1/16W J	
R680	NRSA63J-103X	MG RESISTOR	10kΩ 1/16W J	
R681	NRSA63J-471X	MG RESISTOR	470Ω 1/16W J	
R685	NRSA63J-103X	MG RESISTOR	10kΩ 1/16W J	
R690	NRSA63J-0R0X	MG RESISTOR	0Ω 1/16W J	
CN601	NNZ0098-001X	CAR CONNECTOR		
JS601	QSW0793-001	ROTARY ENCODER		
S601	NSW0124-001X	TACT SW		
S602	NSW0124-001X	TACT SW		
S603	NSW0124-001X	TACT SW		
S605	NSW0124-001X	TACT SW		
S606	NSW0124-001X	TACT SW		
S607	NSW0124-001X	TACT SW		
S608	NSW0124-001X	TACT SW		
S609	NSW0124-001X	TACT SW		
S610	NSW0124-001X	TACT SW		
S611	NSW0124-001X	TACT SW		
S612	NSW0124-001X	TACT SW		
S613	NSW0124-001X	TACT SW		
S614	NSW0124-001X	TACT SW		
S615	NSW0124-001X	TACT SW		
S616	NSW0124-001X	TACT SW		
S617	NSW0124-001X	TACT SW		
S690	NSW0124-001X	TACT SW		
SD601	NSW0218-001X	LUMISWITCH		
SD602	NSW0218-001X	LUMISWITCH		
TH685	NAD0022-103X	N THERMISTOR	10kΩ 10mW F	

<MEMO>

Packing materials and accessories parts list

Block No. M 3 M M



Packing and Accessories

Block No. [M][3][M][M]

△ Symbol No.	Part No.	Part Name	Description	Local
A 1	GET0197-001A	INST BOOK	ENG SPA FRE	
A 2	GET0197-002A	INSTALL MANUAL		
A 3	GET0206-001A	IMPORTANT SHEET		
A 4	GET0210-001A	DEMO MODE SHEET		
A 5	BT-51018-3	WARRANTY CARD		
A 6	BT-52006-2	WARRANTY CARD		
A 7	BT-51034-1	J=REGIST CARD		
A 8	LVT1120-001A	MP3 GUIDE		
A 9	LVT0717-001B	TROUBLE SHEET(C		
A 10	GET0213-001A	CAUTION SHEET		
A 11	VKZ4027-202	PLUG NUT		
A 12	VKH4871-001SS	MOUNT BOLT		
A 13	VKZ4328-001	LOCK NUT		
A 14	WNS5000Z	WASHER		
A 15	GE40130-002A	HOOK	(x2)	
A 16	FSJB3002-00C	HARD CASE		
A 17	GE20137-003A	MOUNTING SLEEVE		
A 18	GE20164-003A	TRIM PLATE		
A 19	RM-RK50	REMOCON UNIT		
A 20	-----	BATTERY		
A 21	QAM0306-001	16P CORD ASSY		
KIT	SRW-200J	SCREW PARTS KIT	A11 A12 A13 A14 A15	
P 1	FSPG4002-001	POLY BAG		
P 2	QPA00801205	POLY BAG	8cm x 12cm	
P 3	FSYH4036-068	SHEET		
P 4	QPA01003003	POLY BAG	10cm x 30cm	
P 5	QPC03004315P	POLY BAG	30cm x 43cm	
P 6	GE31155-002A	CARTON		
P 7	GE10086-001A	EPS CUSHION	(x2)	

JVC

SCHEMATIC DIAGRAMS

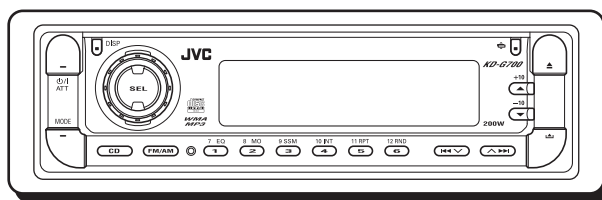
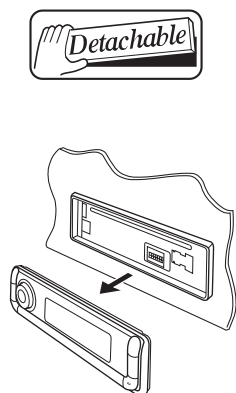
CD RECEIVER

KD-G700

CD-ROM No.SML200401

Area suffix

J ----- Northern America



WMA MP3

Contents

Block diagram	2-1
Standard schematic diagrams	2-3
Printed circuit boards	2-9 to 11

Safety precaution

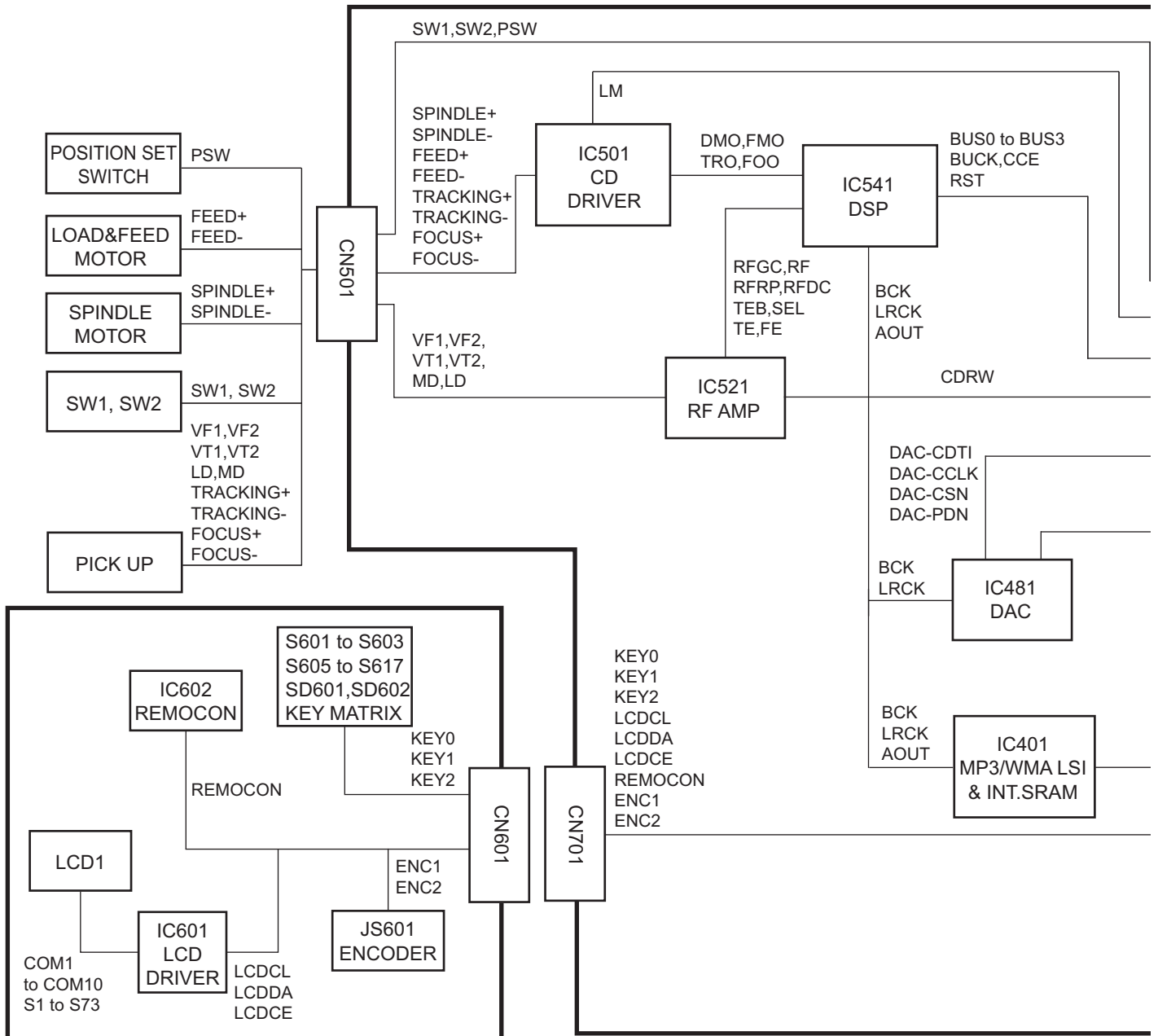
 **CAUTION** Burrs formed during molding may be left over on some parts of the chassis. Therefore, pay attention to such burrs in the case of performing repair of this system.

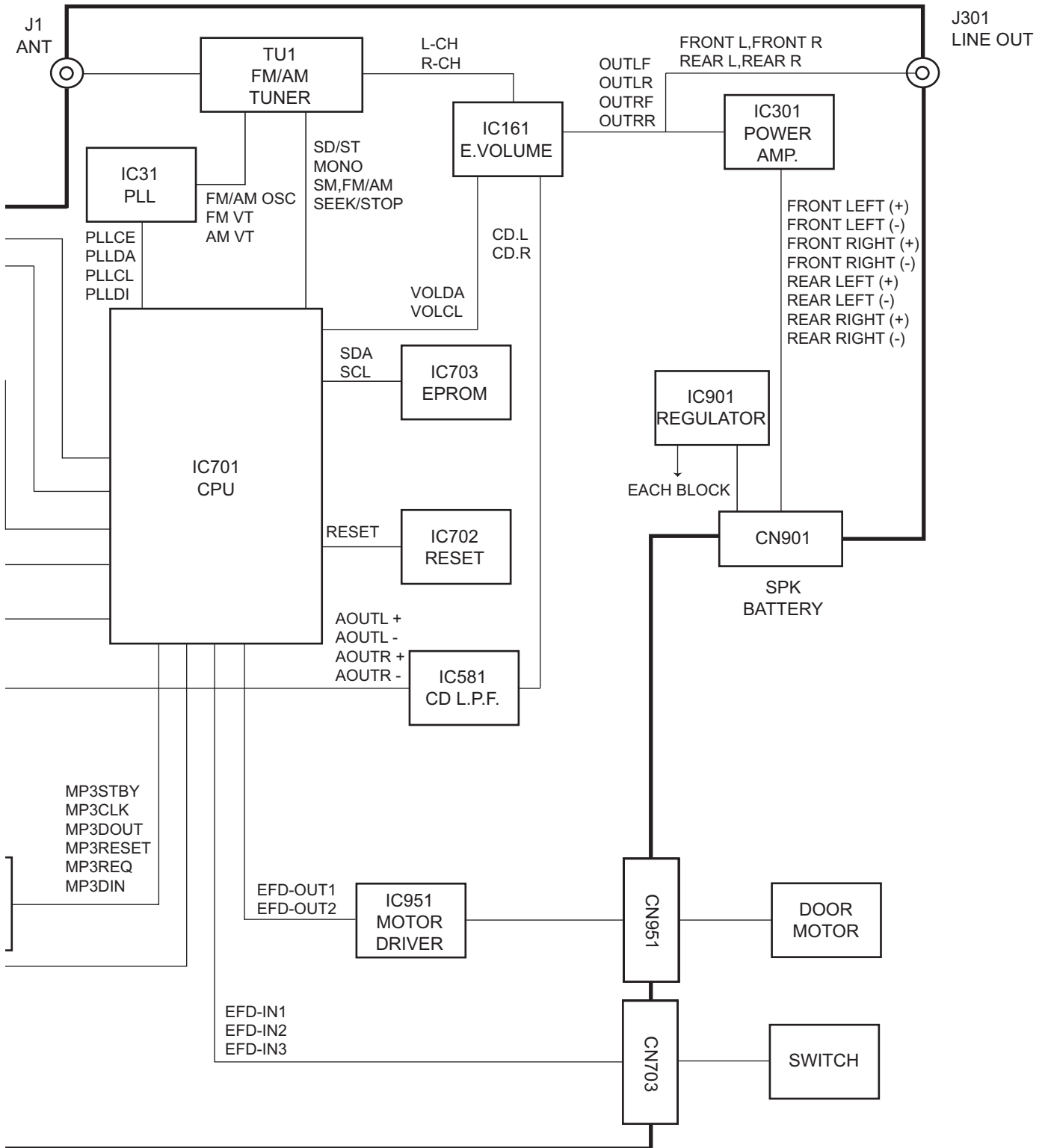
 **CAUTION** Please use enough caution not to see the beam directly or touch it in case of an adjustment or operation check.

< MEMO >

Block diagram

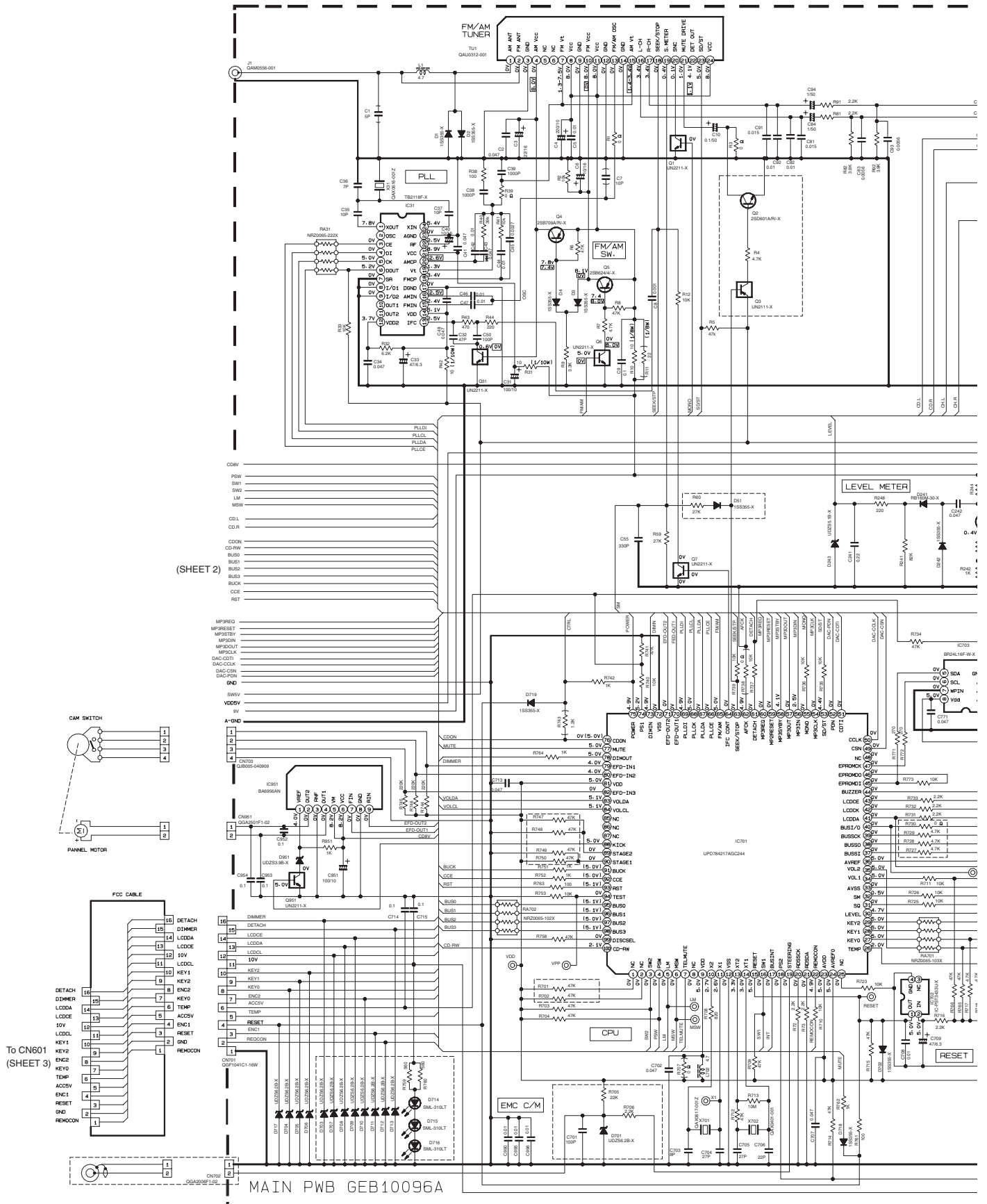
J1
ANT





Standard schematic diagrams

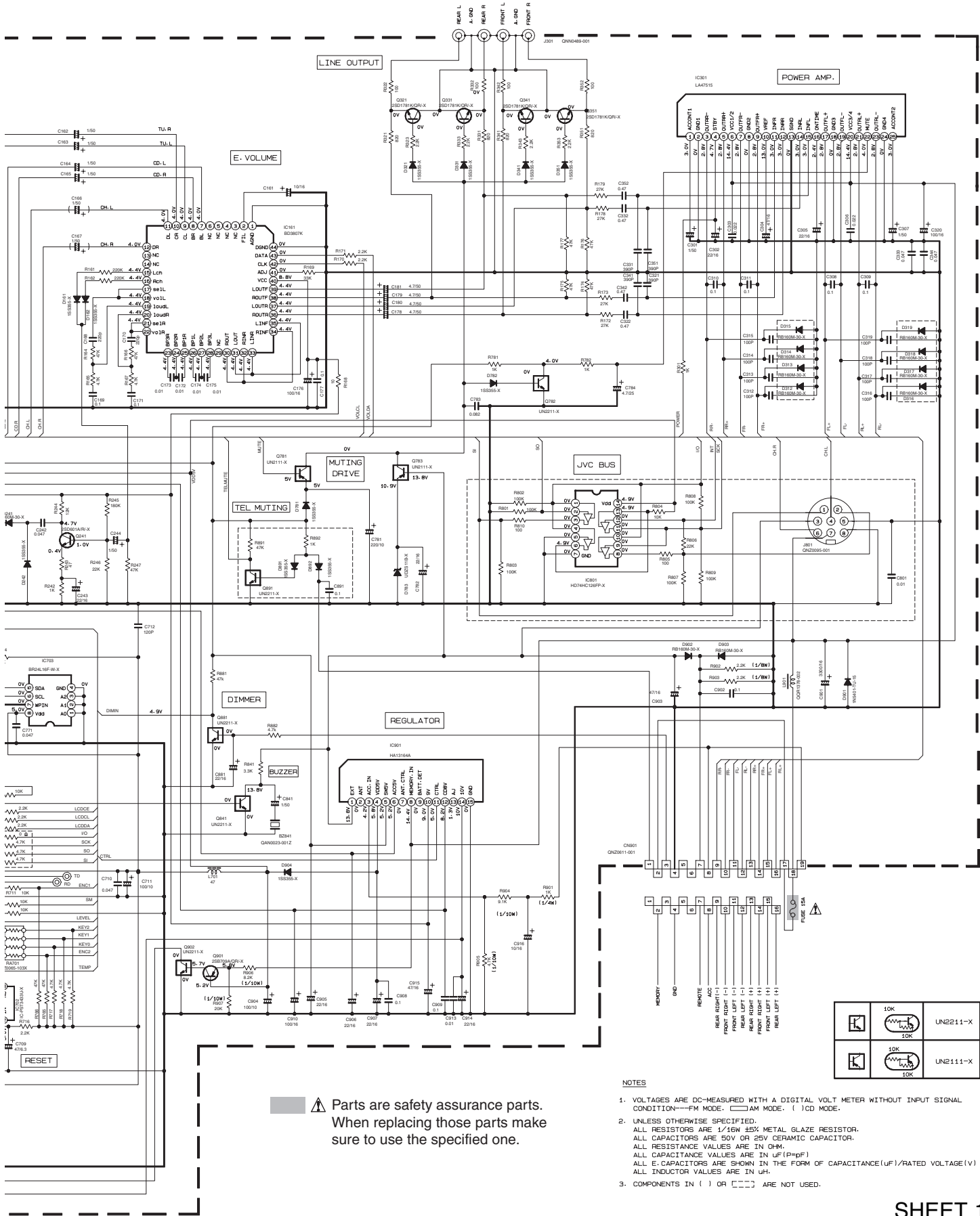
■ Main amplifier section



(SHEET 2)

To CN601
(SHEET 3)

MAIN PWB GEB10096A



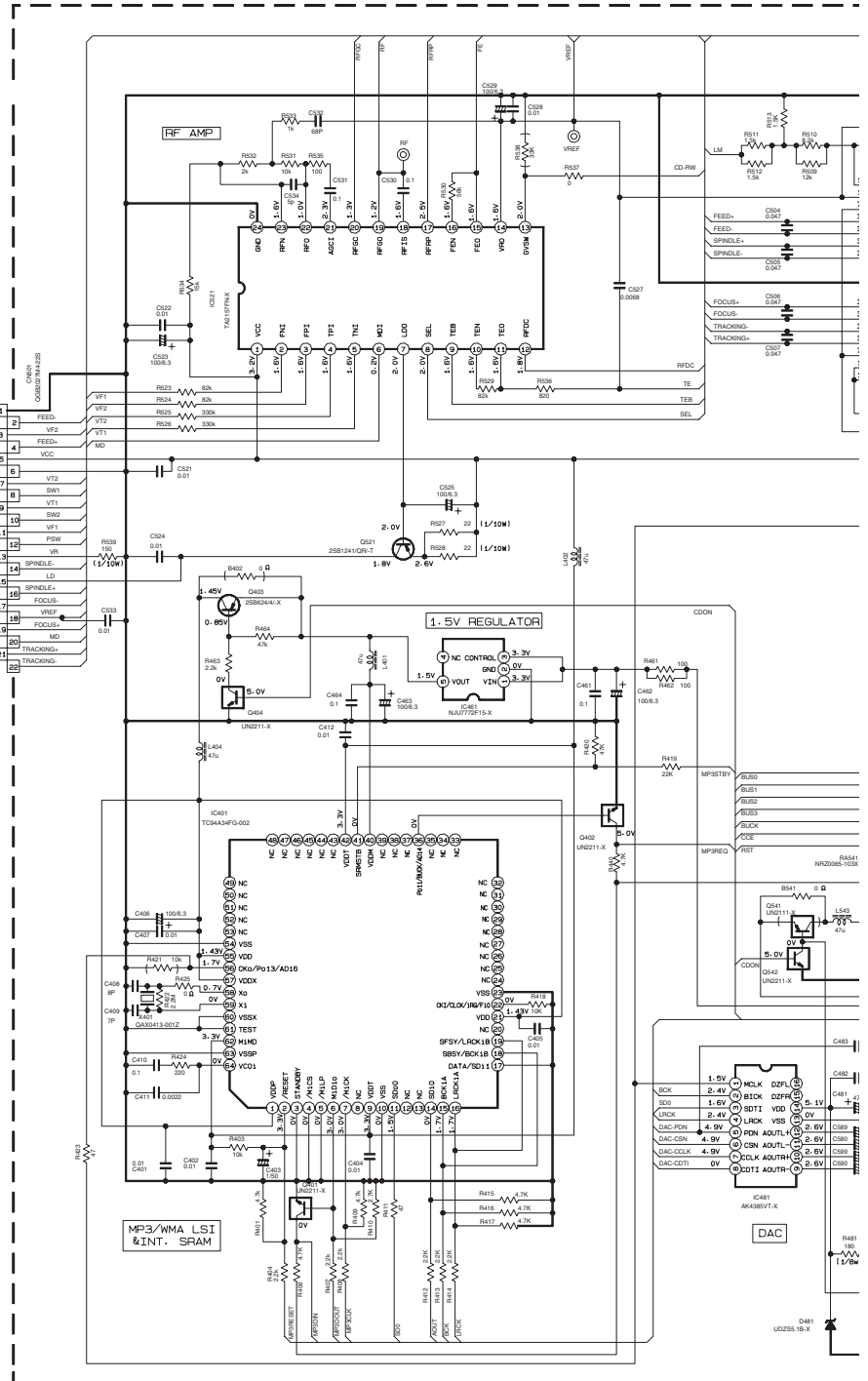
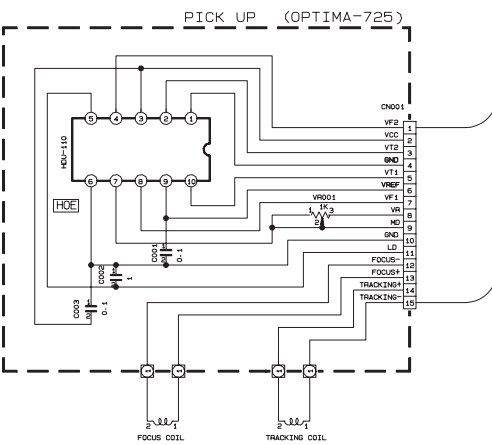
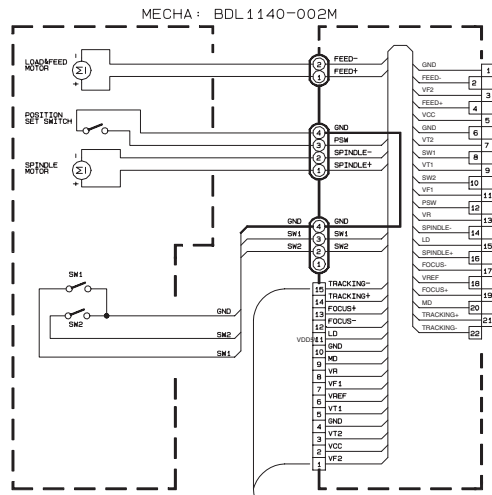
⚠ Parts are safety assurance parts.
When replacing those parts make
sure to use the specified one.

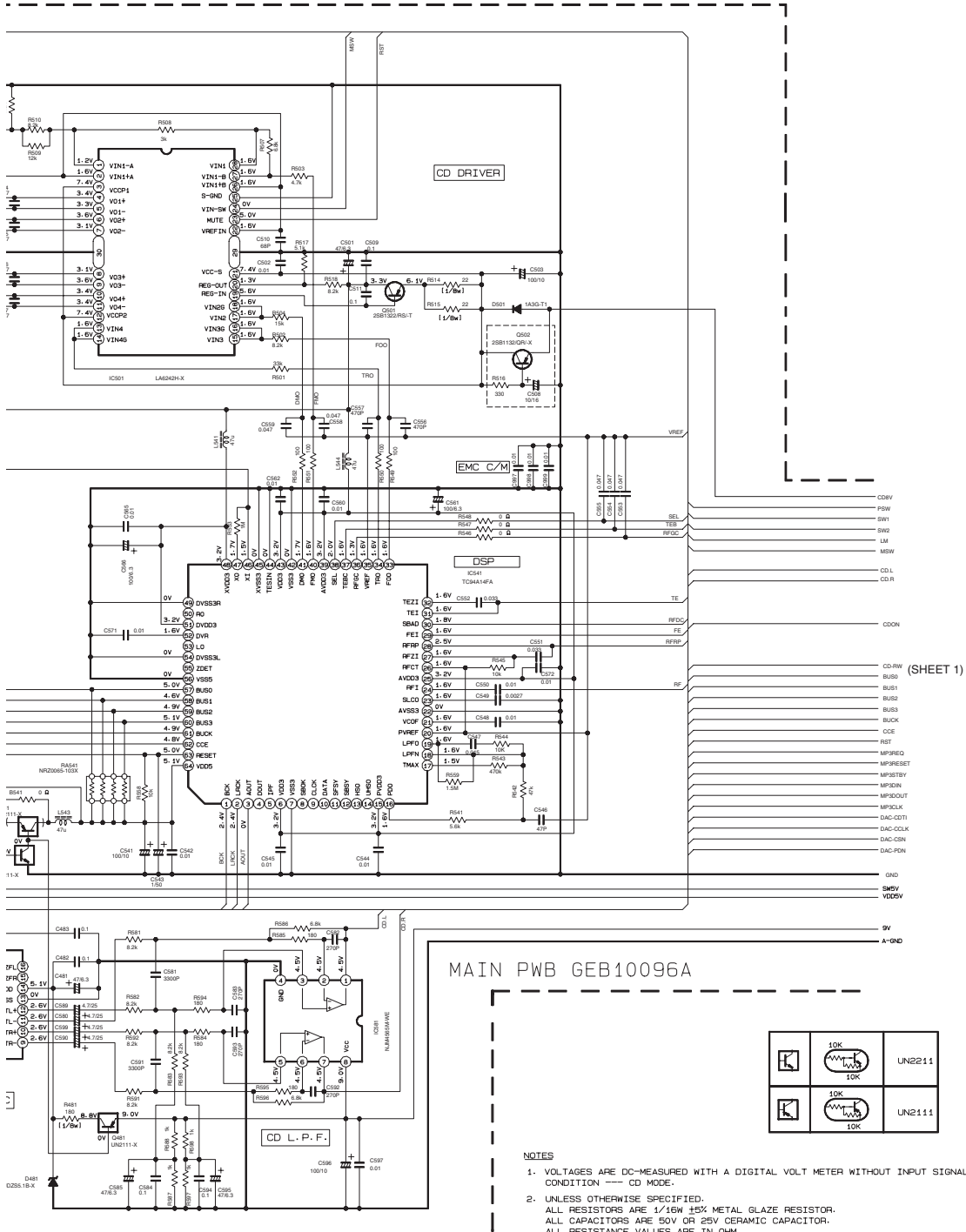
NOTES

- VOLTAGES ARE DC-MEASURED WITH A DIGITAL VOLT METER WITHOUT INPUT SIGNAL CONDITION---FM MODE. () CD MODE.
- UNLESS OTHERWISE SPECIFIED.
ALL RESISTORS ARE 1/16W 45% METAL GLAZE RESISTOR.
ALL CAPACITORS ARE 50V OR 25V CERAMIC CAPACITOR.
ALL RESISTANCE VALUES ARE IN OHM.
ALL CAPACITANCE VALUES ARE IN uF (P=pF)
ALL E. CAPACITORS ARE SHOWN IN THE FORM OF CAPACITANCE(uF)/RATED VOLTAGE(V)
ALL INDUCTOR VALUES ARE IN uH.
- COMPONENTS IN () OR [] ARE NOT USED.

	10K		UN2211-X
	10K		UN2111-X

CD servo control section



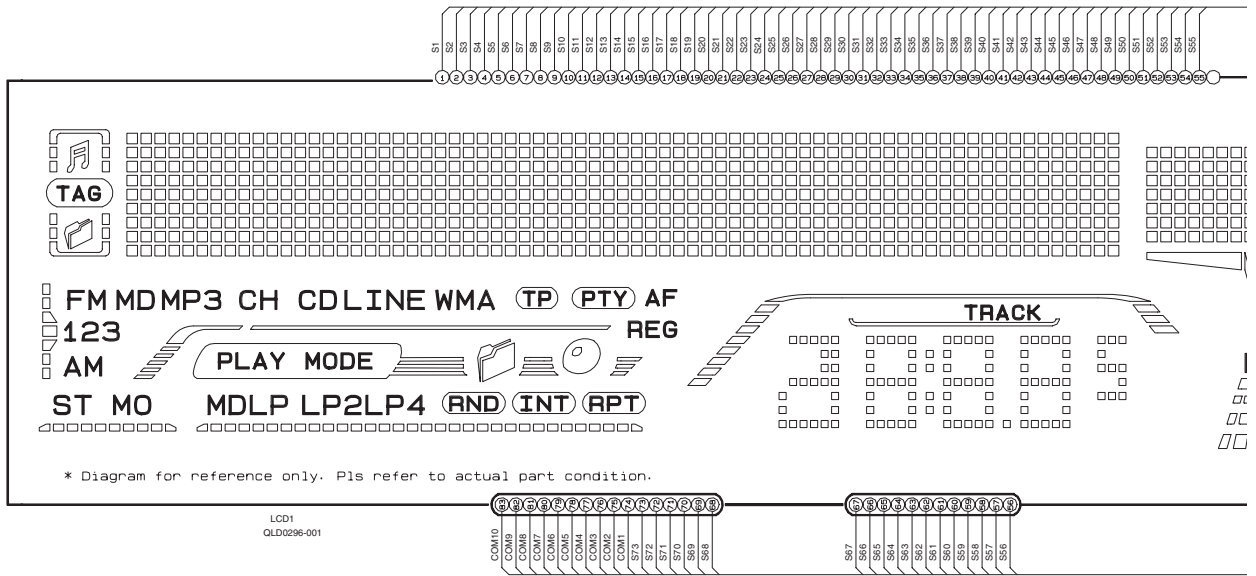


MAIN PWB GEB10096A

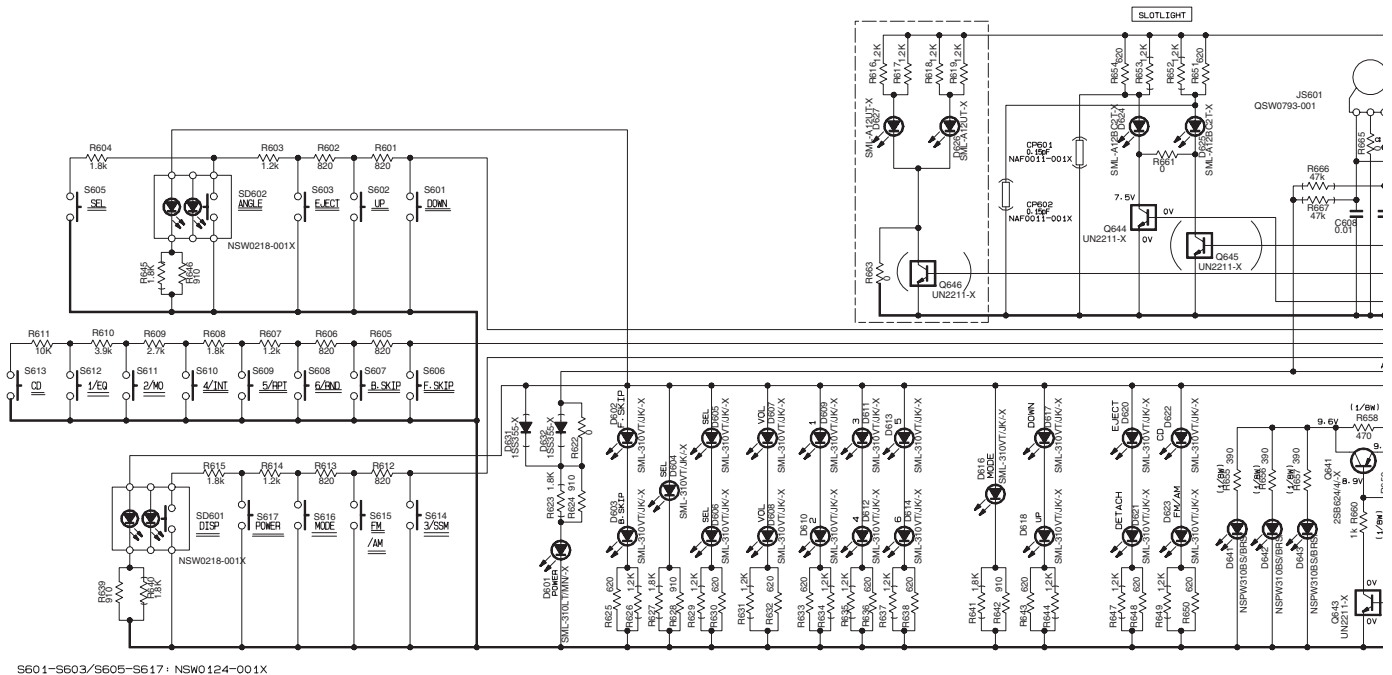
	10K	UN2211
	10K	UN2211

- NOTES
1. VOLTAGES ARE DC-MEASURED WITH A DIGITAL VOLT METER WITHOUT INPUT SIGNAL CONDITION — CD MODE.
 2. UNLESS OTHERWISE SPECIFIED, ALL RESISTORS ARE 1/16W 25X METAL GLAZE RESISTOR. ALL CAPACITORS ARE 50V OR 25V CERAMIC CAPACITOR. ALL RESISTANCE VALUES ARE IN OHM. ALL CAPACITANCE VALUES ARE IN uF (P=PF) ALL E-CAPACITORS ARE SHOWN IN THE FORM OF CAPACITANCE(uF)/RATED VOLTAGE(V)
 3. COMPONENTS IN () OR [] ARE NOT USED.

LCD & Key control section

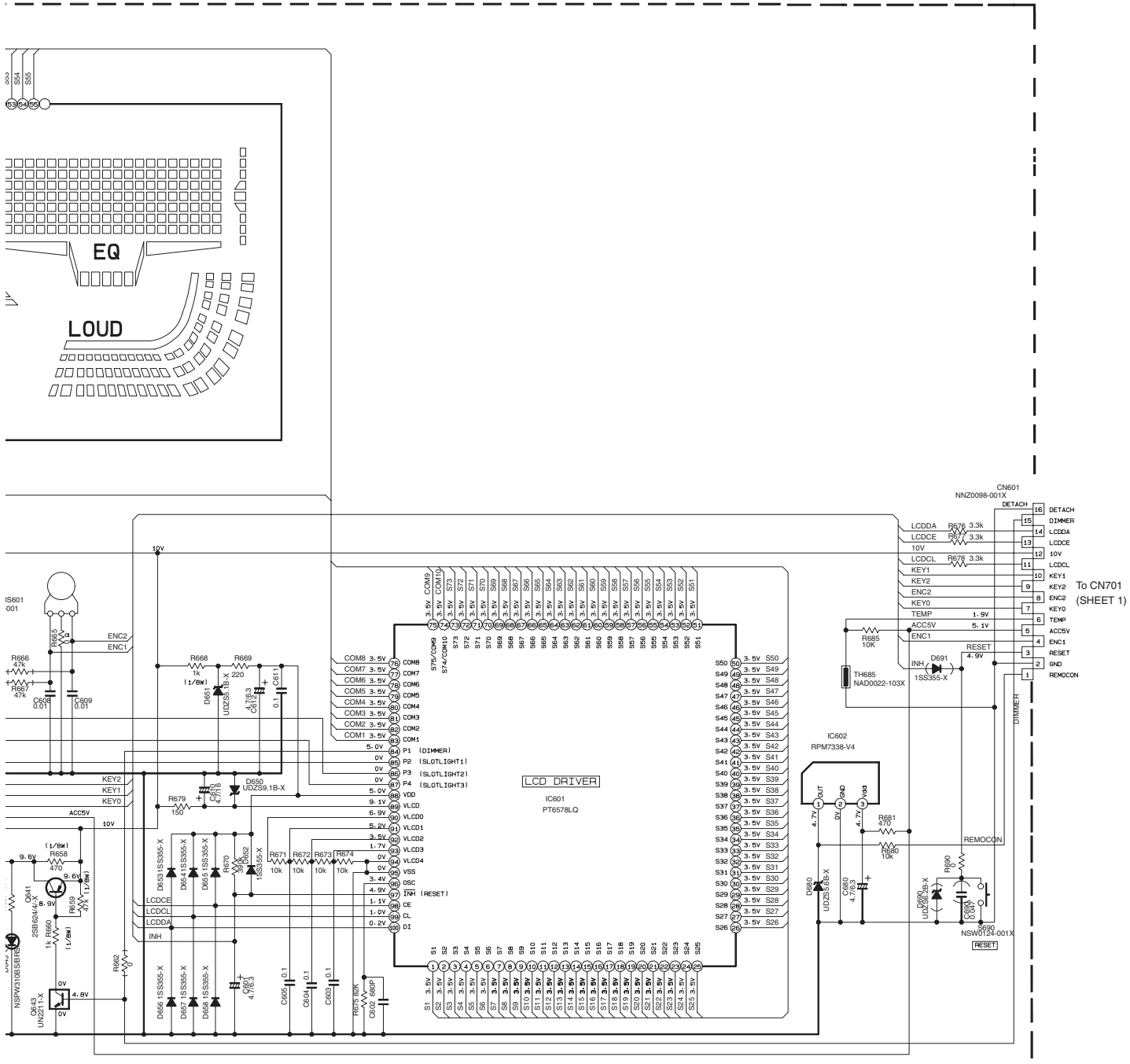


LCD1
QLD0296-001



S601-S603/S605-S617: NSW0124-001X

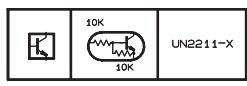
#NOTE
 SML-310LT/MN/-X --- RED LED (POWER)
 SML-310VT/JK/-X --- RED LED (OTHERS)
 NSPW310BS/BRS/- --- WHITE LED
 R616-R619: 1/10W ±5% METAL GLAZE RESISTORS
 R623-R654: 1/10W ±5% METAL GLAZE RESISTORS



SW PWB GEB10102A [AgTr/Double reflow]

NOTES

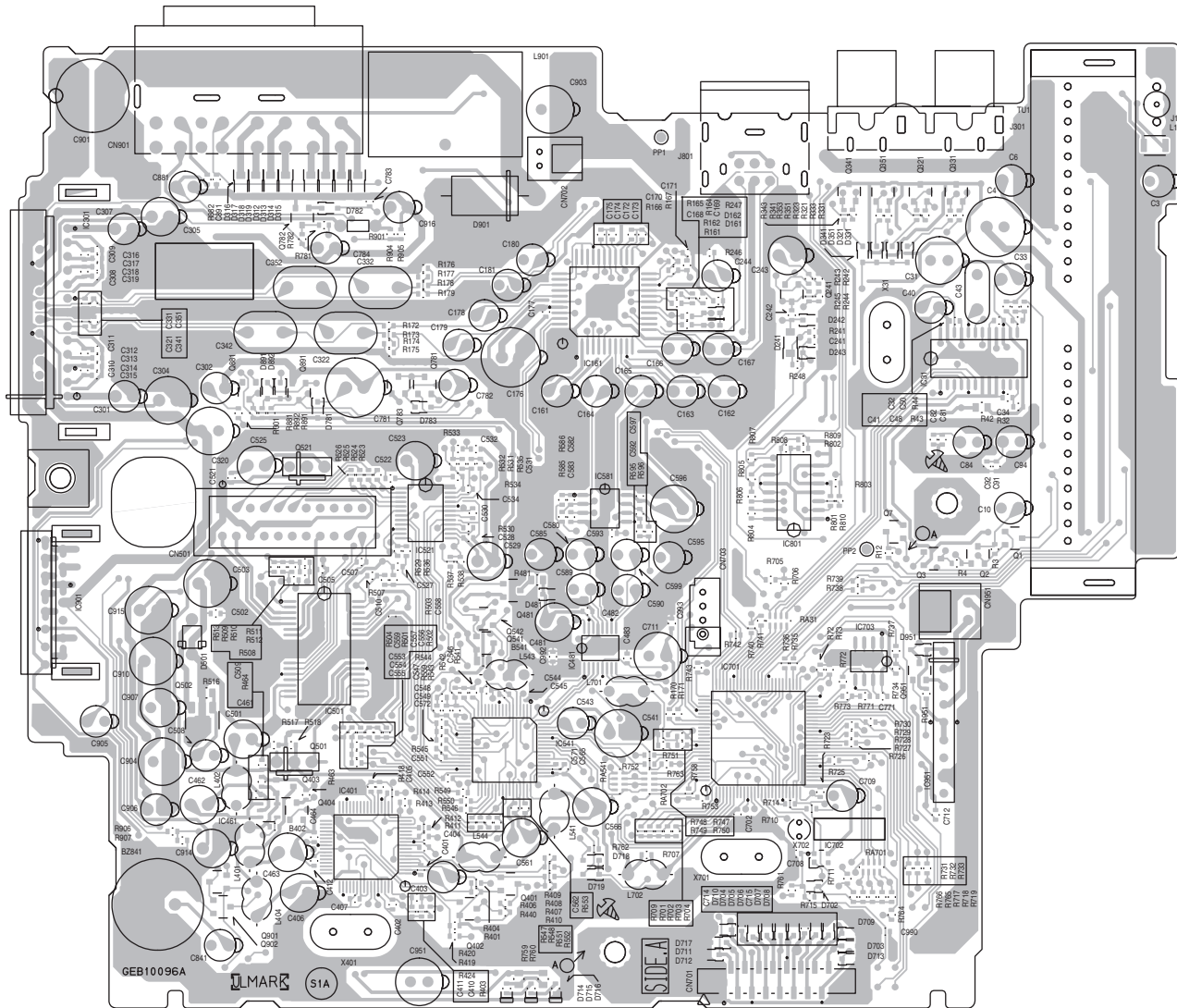
1. VOLTAGES ARE DC-MEASURED WITH A DIGITAL VOLT METER WITHOUT INPUT SIGNAL CONDITION---CD MODE.
2. UNLESS OTHERWISE SPECIFIED.
 ALL RESISTORS ARE 1/16W 45% METAL GLAZE RESISTOR.
 ALL CAPACITORS ARE 50V OR 25V CERAMIC CAPACITOR.
 ALL RESISTANCE VALUES ARE IN OHM.
 ALL CAPACITANCE VALUES ARE IN uF(p=pF).
 ALL E. CAPACITORS ARE SHOWN IN THE FORM OF CAPACITANCE(uF)/RATED VOLTAGE(V)
3. COMPONENTS IN () OR [] ARE NOT USED.



Printed circuit boards

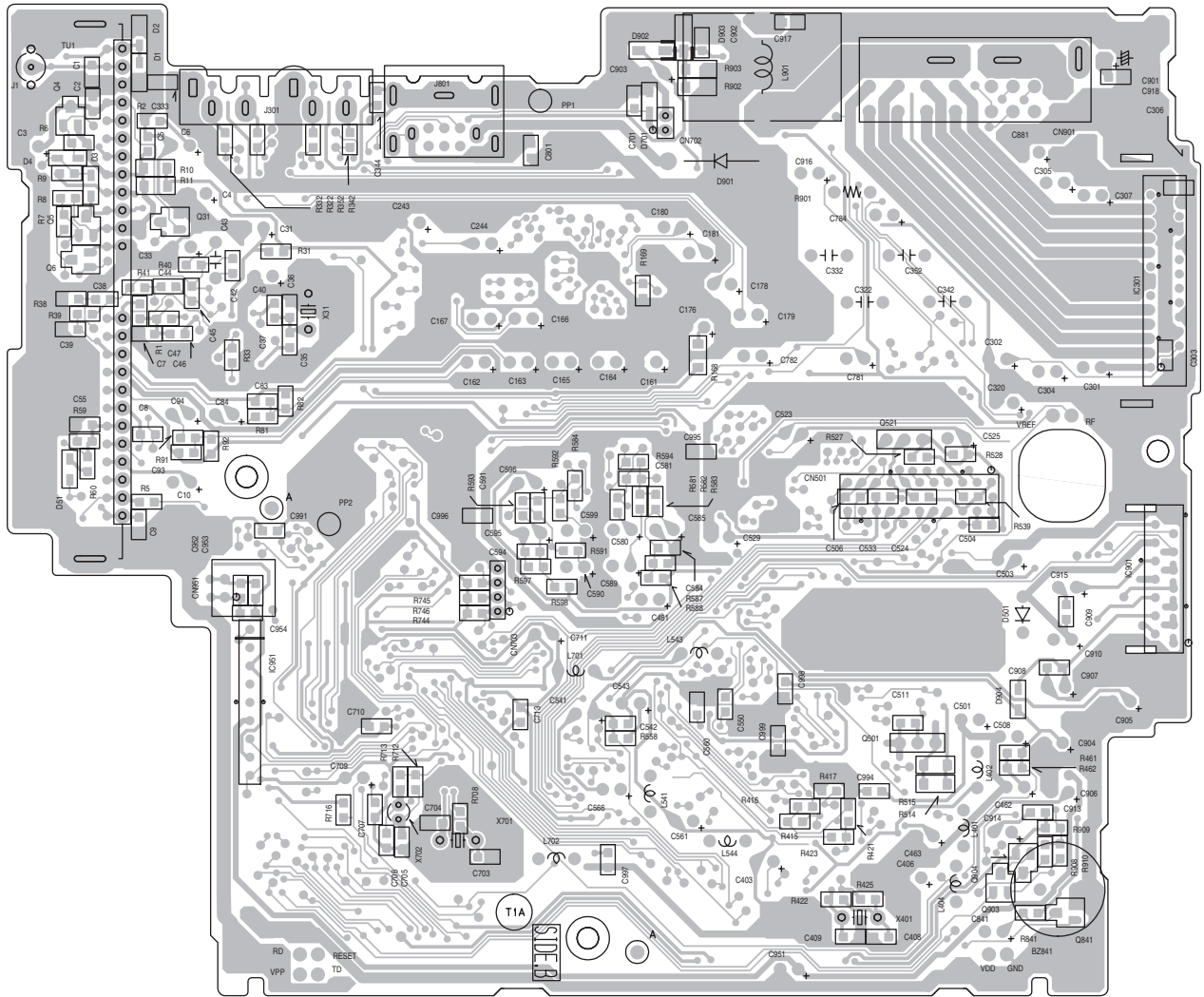
■ Main board

Forward side



Main board

Reverse side



< MEMO >

JVC

VICTOR COMPANY OF JAPAN, LIMITED

AV & MULTIMEDIA COMPANY MOBILE ENTERTAINMENT CATEGORY 10-1,1chome,Ohwatari-machi,Maebashi-city,371-8543,Japan

(No.MA050SCH)



Printed in Japan
WPC